

ARCHITECTURE/ENGINEERING:
LONG & ASSOCIATES

ARCHITECTS / ENGINEERS, INC.
4525 S. MANHATTAN AVE.
TAMPA, FLORIDA 33611



AA0001624
ER 1626
813/839-0506

ADMISSIONS CENTER IMPROVEMENTS

4549 POLYTECHNIC CIRCLE
LAKELAND, FL 33805



100% OWNER REVIEW

L&A PROJECT NO. 21023

07/01/2022

INDEX OF DRAWINGS

GENERAL INDEX - AML

- ALEXANDER M. LONG, STATE OF FLORIDA, REGISTERED ARCHITECT, LICENSE NO. AR 00015104 & REGISTERED INTERIOR DESIGNER ID 0003915 IS RESPONSIBLE FOR ALL SHEETS APPEARING ON THE COVER SHEET UNDER THE GENERAL HEADING
- G0.1 COVER SHEET
- G0.2 ABBREVIATIONS, SYMBOL, LEGEND, & MATERIALS LEGEND

ARCHITECTURAL INDEX - AML

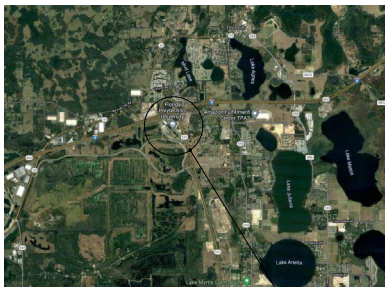
- ALEXANDER M. LONG, STATE OF FLORIDA, REGISTERED ARCHITECT, LICENSE NO. AR 00015104 & REGISTERED INTERIOR DESIGNER ID 0003915 IS RESPONSIBLE FOR ALL SHEETS APPEARING ON THE COVER SHEET UNDER THE ARCHITECTURAL HEADING
- A3.1 LIFE SAFETY PLAN
- A1.1 1ST FLOOR PLAN & REFLECTED CEILING PLAN
- A2.1 ENLARGED PLANS
- A3.1 SECTIONS
- A4.1 FINISH FLOOR PLAN & FINISH SCHEDULE

MECHANICAL INDEX - DGH

- DANIEL G. HERRERA, STATE OF FLORIDA, PROFESSIONAL ENGINEER, LICENSE NO. PE 8868 IS RESPONSIBLE FOR ALL SHEETS APPEARING ON THE COVER SHEET UNDER THE MECHANICAL HEADING
- M0. GENERAL NOTES & LEGEND
- M1.1 1ST FLOOR MECHANICAL PLAN
- M3.1 SCHEDULE AND DETAILS

ELECTRICAL INDEX -XG

- XIANG GAO, STATE OF FLORIDA, PROFESSIONAL ENGINEER, LICENSE NO. PE 8868 IS RESPONSIBLE FOR ALL SHEETS APPEARING ON THE COVER SHEET UNDER THE ELECTRICAL HEADING
- E0.1 SPECIFICATIONS, LEGEND AND GENERAL NOTES
- E1.1 1ST FLOOR ELECTRICAL PLANS
- E3.1 DETAILS



↑ REGIONAL MAP



↑ LOCAL MAP

21023
100% OWNER REVIEW
07/01/2022
FLORIDA POLYTECHNIC UNIVERSITY
4549 POLYTECHNIC CIRCLE
LAKELAND, FL 33805

LONG & ASSOCIATES
architects | engineers, inc.

Sheet
NOT FOR CONSTRUCTION
ALEXANDER M. LONG, AIA, AIA
4/6/2018

DIGITAL SEALS

NO.	DATE	ISSUES & REVISIONS
01/17/21	01/17/21	SCHEMATIC DESIGN
05/09/22	05/09/22	90% OWNER REVIEW
07/01/22	07/01/22	100% OWNER REVIEW

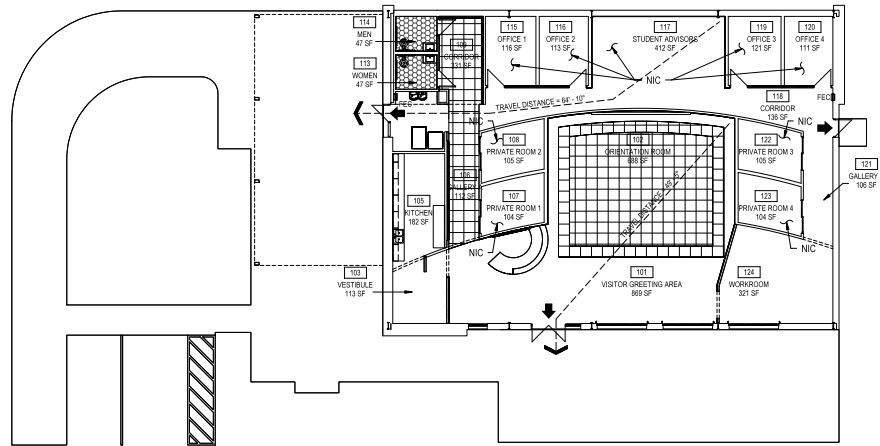
TO THE BEST OF THE ARCHITECTS AND/OR ENGINEER'S KNOWLEDGE THESE PLANS AND SPECIFICATIONS COMPLY WITH THE APPLICABLE MINIMUM BUILDING CODES AND THE APPLICABLE FIRE SAFETY STANDARDS

Prepared: 100% OWNER REVIEW
Checked By: CHA
Job No: 21023
Date: 07/01/2022

7/1/2022 1:20:09 PM

COVER SHEET

G0.1



1 LIFE SAFETY PLAN
SCALE: 3/32" = 1'-0"
0 5 10 20'

FLORIDA BUILDING CODE 7TH EDITION (2020) ANALYSIS

OCCUPANCY (FBC 304) BUSINESS GROUP B
CONST TYPE (FBC 503) TYPE I-B, UNSPRINKLED
ALLOWABLE FLOOR AREA (FBC 506.3) = 23,000 SF
ACTUAL FLOOR AREA = 5,085 SF
AFFECTED AREA = 2,362 SF
MAX ALLOWABLE BUILDING HT (FBC 504.39) = 55'-0"
ACTUAL BUILDING HT = 32'-0" ONE STORY BUILDING
MAXIMUM TRAVEL DISTANCE (NFPA 101 38.2.6.2) = 200'-0" UNSPRINKLED
MAXIMUM DEAD END CORRIDOR (FBC 1002.4 / NFPA 14.2.5.5) = 20'-0" UNSPRINKLED
COMMON PATH OF TRAVEL (FBC 1002.2.1) = 75'-0"
OCCUPANT LOAD (FBC 1004.5) + BUSINESS AREA = 150 GROSS
MAX OCCUPANTS (157 F1) = 5,095 / 150 = 34 PERSONS
REQUIRED EGRESS WIDTH (FBC 1005.2.2) = 27' OCC OTHER
34 x 2 = 68' MINIMUM 36" CORRIDOR WIDTH PER TABLE 1003.2
FIRE RESISTANCE RATINGS (FBC TABLE 601)
STRUCTURAL FRAME = 0 HOUR
BEARING EXTERIOR WALLS = 0 HOUR
BEARING INTERIOR WALLS = 0 HOUR
NON-BEARING WALLS = 0 HOUR
FLOOR CONSTRUCTION = 0 HOUR
ROOF CONSTRUCTION = 0 HOUR

NOTE: NO CHANGE TO OCCUPANT LOAD, BUILDING CONSTRUCTION, OR OCCUPANCY TYPE.

LIFE SAFETY PLAN NOTES

- A. ALL PORTIONS OF THE BUILDING ARE INTENDED TO BE ACCESSIBLE TO THE DISABLED PERSONS AS PER ADA REQUIREMENTS.
- B. BUILDING IS EQUIPPED THROUGHOUT WITH AUTOMATIC SPRINKLER SYSTEM - (NFPA 13). ALL AREAS OF BUILDING SHALL BE EQUIPPED WITH SPRINKLERS UNLESS OTHERWISE INDICATED.
- C. MAX TRAVEL DISTANCE TO PORTABLE FIRE EXTINGUISHERS EQUALS 75'-0" FOR CLASS "A" FIRE HAZARD AND 50'-0" FOR CLASS "B" FIRE HAZARD PER FBC SECTION 906.3.
- D. REQUIRED EXIT SEPARATION CALCULATED AS (BUILDING DIAGONAL DISTANCE) X (1/3) PER FBC SECTION 1015.2.1, EXCEPTION #2.
- E. DOORS WITHIN A WALL DESIGNATED AS A FIRE RATED ASSEMBLY SHALL BE FIRE RATED ACCORDINGLY. SEE DOOR SCHEDULE FOR FIRE RATED DOORS AND EGRESS HARDWARE REQUIREMENTS.
- F. FOR FIRE ALARM AND EMERGENCY LIGHTING, SEE FIRE PROTECTION AND ELECTRICAL PLANS.
- G. PER ARTICLE 110.28(C)(3) OF THE NATIONAL ELECTRIC CODE, PANIC HARDWARE SHALL BE PROVIDED ON ALL DOORS SERVING THE MAIN ELECTRICAL ROOMS.
- H. CORRIDORS DO NOT NEED TO BE FIRE RATED PER TABLE 1003.1.

CODE COMPLIANCE NOTES

ALL WORK SHALL BE PERFORMED IN STRICT ACCORDANCE WITH THE REQUIREMENTS OF THE FOLLOWING CODES & STANDARDS AND ALL APPLICABLE SUPPLEMENTS TO THESE EDITIONS:
2020 FLORIDA BUILDING CODE, BUILDING, 7TH EDITION
2020 FLORIDA BUILDING CODE, MECHANICAL, 7TH EDITION
2020 FLORIDA BUILDING CODE, PLUMBING, 7TH EDITION
2020 FLORIDA BUILDING CODE, FUEL GAS, 7TH EDITION
2020 FLORIDA BUILDING CODE, ACCESSIBILITY, 7TH EDITION
2020 FLORIDA BUILDING CODE, ENERGY CONSERVATION, 7TH EDITION
2020 FLORIDA FIRE PREVENTION CODE, 7TH EDITION
2021 NFPA 101 LIFE SAFETY CODE
REFER TO DISCIPLINE SPECIFIC GENERAL NOTES SHEETS FOR ADDITIONAL APPLICABLE CODES AND STANDARDS

PLUMBING FIXTURE CALCULATIONS - NO CHANGES

FIRE EXTINGUISHERS - NO CHANGES

LIFE SAFETY LEGEND

- ➔ EXIT / PRIMARY EGRESS
- ➔➔ EXIT / SECONDARY EGRESS
- ➔➔➔ EGRESS TRAVEL PATH, MAX DISTANCE = 250'-0" PER FBC 1017.2
- |— ONE HOUR FIRE-RATED PARTITION
- FEC FIRE EXTINGUISHER CABINET 10A, 80 BC
- ☼ FIRE EXTINGUISHER, SURFACE MOUNT



ADMISSIONS CENTER IMPROVEMENTS
FLORIDA POLYTECHNIC UNIVERSITY
459P POLYTECHNIC CIRCLE
LAKELAND, FL 33805

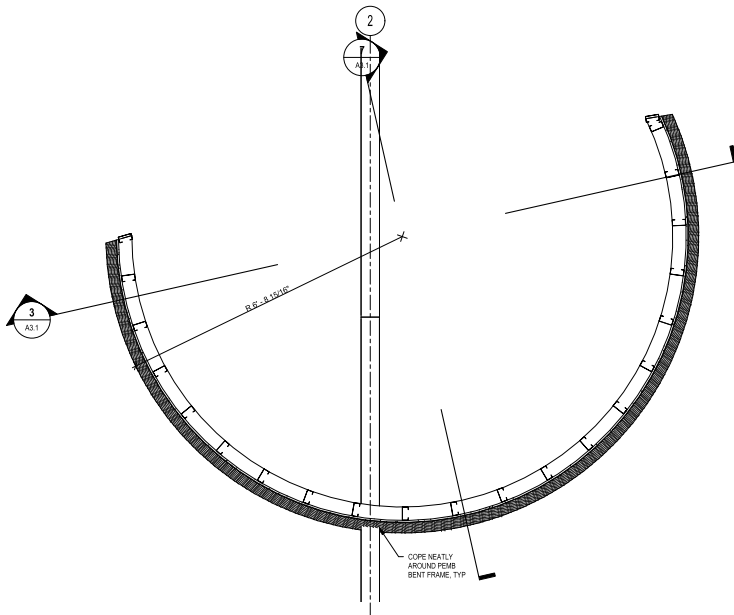
NOT FOR CONSTRUCTION
ALEXANDER M. LONG, A.S.A.
ARCHITECT

NO.	DATE	ISSUES & REVISIONS
07/13/21		SCHEMATIC DESIGN
08/09/22		50% OWNER REVIEW
07/01/22		100% OWNER REVIEW

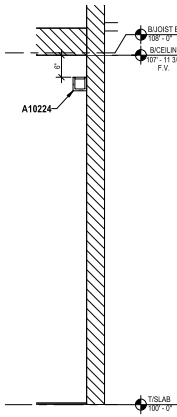
TO THE BEST OF THE ARCHITECTS AND/OR ENGINEERS KNOWLEDGE THESE PLANS AND SPECIFICATIONS COMPLY WITH THE APPLICABLE MINIMUM BUILDING CODES AND THE APPLICABLE FIRE SAFETY STANDARDS
Prepared: 100% OWNER REVIEW
Checked By: CHA
Job No: 21053
Date: 07/01/2022

LIFE SAFETY PLAN

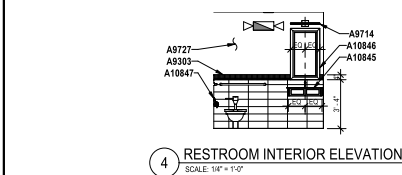
LS1.1



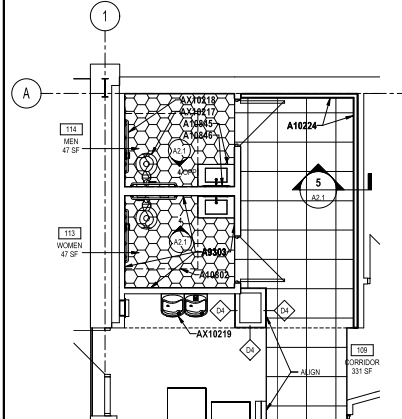
7 ENLARGED REFLECTED CEILING PLAN - UPPER
SCALE: 3/4" = 1'-0"



5 WALL SECTION
SCALE: 1/4" = 1'-0"

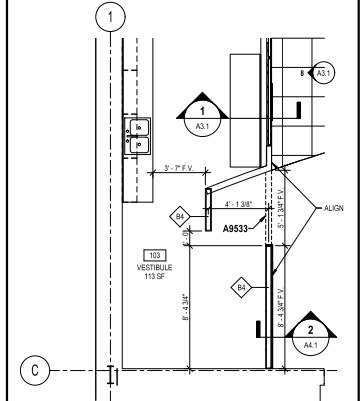


4 RESTROOM INTERIOR ELEVATION
SCALE: 1/4" = 1'-0"

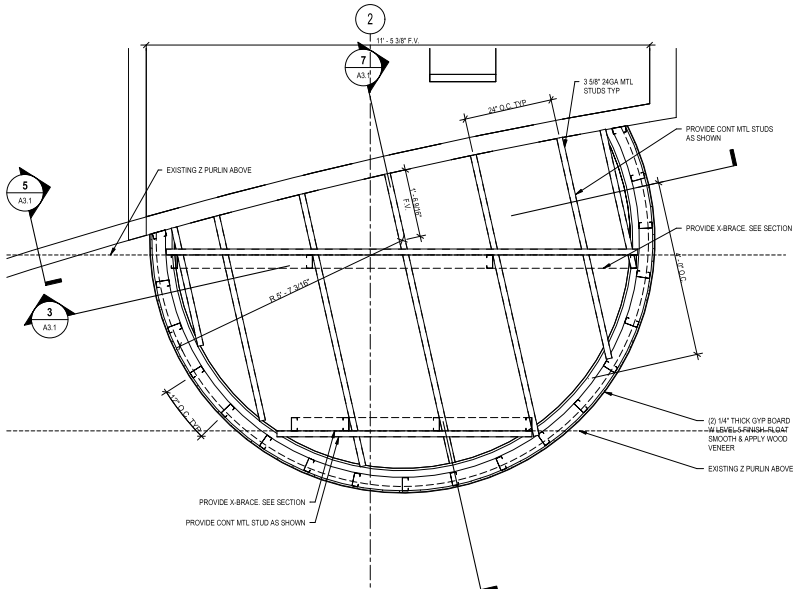


3 ENLARGED PLAN
SCALE: 1/4" = 1'-0"

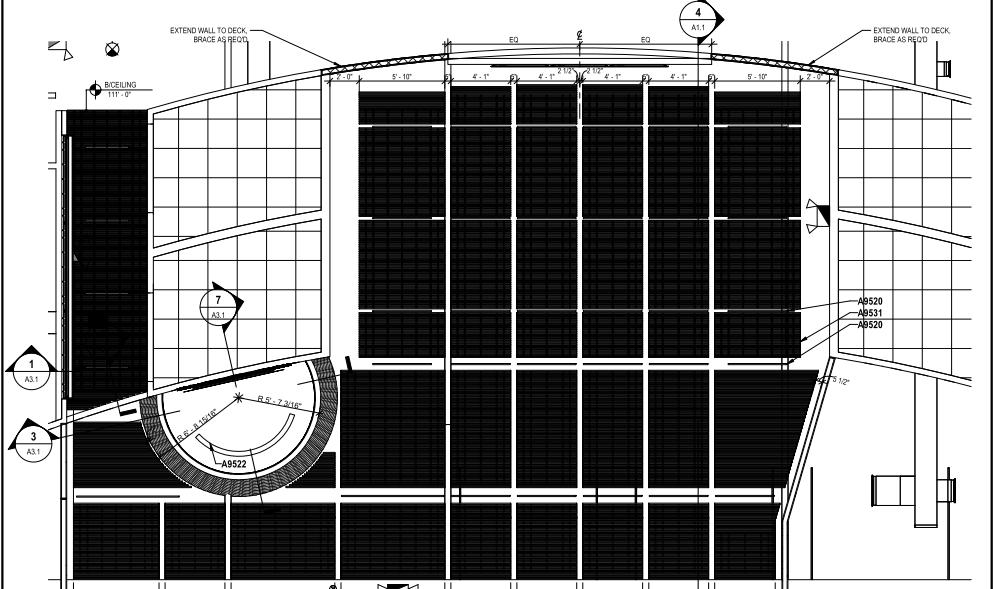
KEYNOTE LEGEND	
NO.	DESCRIPTION
A9303	CERAMIC WALL TILE TO 3'-4" W/ MOSAIC ACCENT BAND TYPICAL AT ALL RESTROOM WALLS
A9300	SUSPENDED LIGHTING FIXTURE. SEE ELECTRICAL DWGS
A9302	SPECIALTY SUSPENDED LIGHTING FIXTURE. SEE ELECTRICAL DWGS
A9311	SUSPENDED WOOD SLAT CEILING SYSTEM. BASIS OF DESIGN: ARMSTRONG WOODWORKS (SPLA) CISE
A9333	GYP HEADER ABOVE
A9714	WALL MOUNTED LIGHT FIXTURE. SEE ELECTRICAL DWGS
A9727	NEW WALLPAPER
A10224	NEW COVE LIGHTING SYSTEM. SEE ELEC DWGS
A10802	CLEAR FLOOR SPACE
A10846	NEW BATHROOM VANITY SINK
A10846	NEW 36" X 42" FRAMED MIRROR
A10847	NEW TOILET PAPER HOLDER, TYPE
AX10211	EXISTING TOILET TO REMAIN. PROTECT & MAINTAIN. REMOVE & REPLACE AS NECESSARY
AX10210	EXISTING GRAB BARS TO REMAIN. PROTECT & MAINTAIN
AX10210	EXISTING ELECTRIC WATER COOLER TO REMAIN. PROTECT & MAINTAIN



2 ENLARGED PLAN
SCALE: 1/4" = 1'-0"



6 ENLARGED PLAN - LOWER
SCALE: 3/4" = 1'-0"



1 ENLARGED REFLECTED CEILING PLAN
SCALE: 1/4" = 1'-0"



ADMISSIONS CENTER IMPROVEMENTS
FLORIDA POLYTECHNIC UNIVERSITY
4949 POLYTECHNIC CIRCLE
LAKELAND, FL 33805

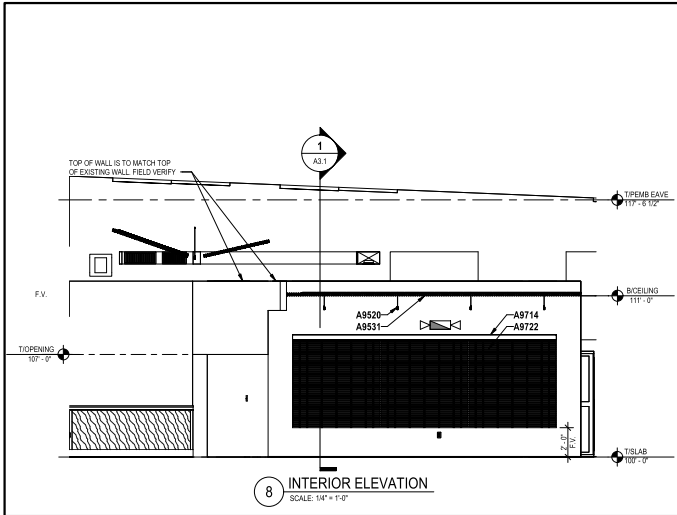
NOT FOR CONSTRUCTION
ALEXANDER M. LONG, A.A. & ARCHITECT

NO.	DATE	ISSUES & REVISIONS
08/09/22	80% OWNER REVIEW	
07/01/22	100% OWNER REVIEW	

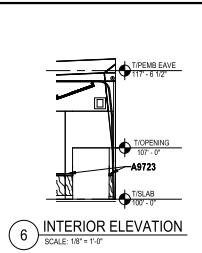
TO THE BEST OF THE ARCHITECTS AND/OR ENGINEERS KNOWLEDGE THESE PLANS AND SPECIFICATIONS COMPLY WITH THE APPLICABLE MINIMUM BUILDING CODES AND THE APPLICABLE FIRE SAFETY STANDARDS.
100% OWNER REVIEW
Drawn By: AML
Checked By: AML
Job No: 21053
Date: 07/01/2022

ENLARGED PLANS

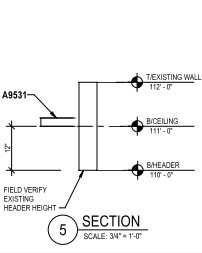
A2.1



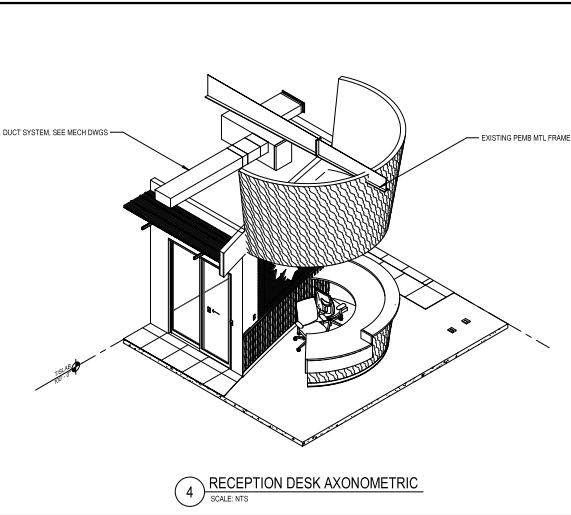
8 INTERIOR ELEVATION
SCALE: 1/4" = 1'-0"



6 INTERIOR ELEVATION
SCALE: 1/8" = 1'-0"

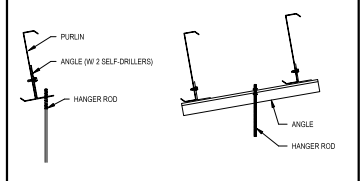


5 SECTION
SCALE: 3/4" = 1'-0"

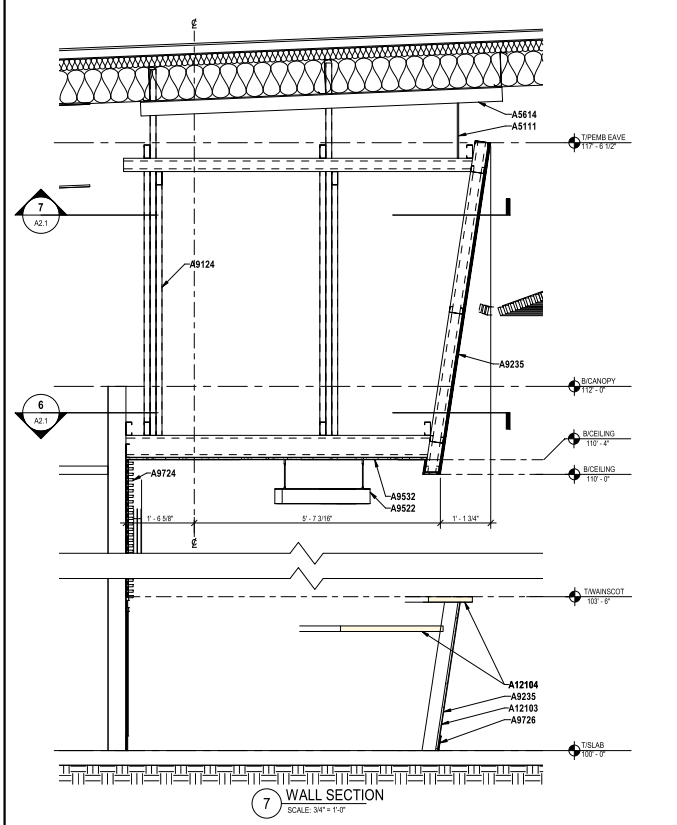


4 RECEPTION DESK AXONOMETRIC
SCALE: NTS

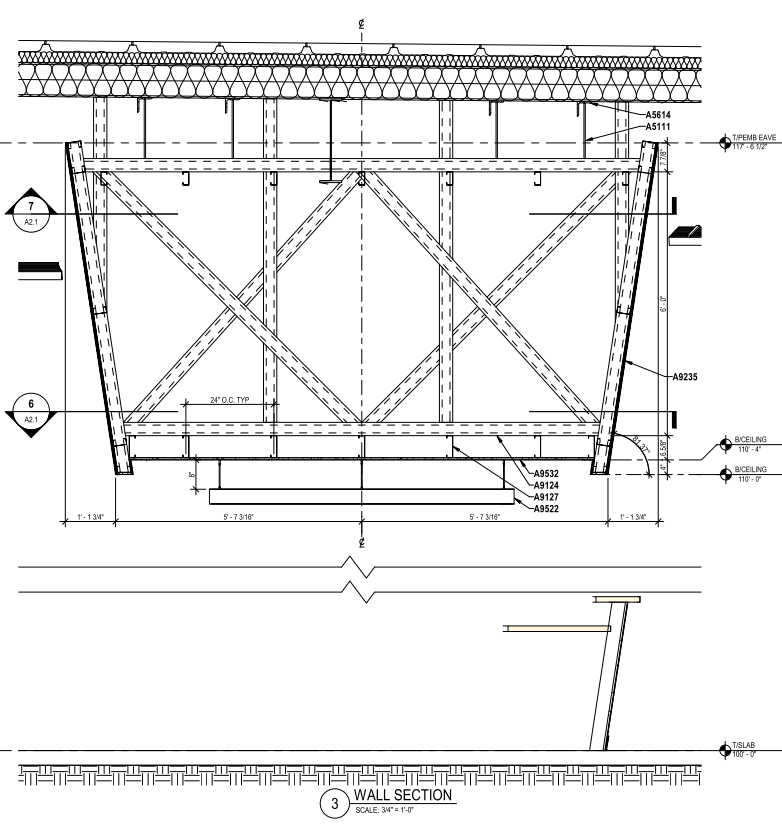
KEYNOTE LEGEND	
NO.	DESCRIPTION
A5111	HANGER ROD. SEE DETAIL
A5614	STEEL ANGLE. SEE DETAIL
A5108	1/2" METAL FLOORING HAT CHANNEL. PAINT BLACK
A9124	3/8" METAL STUD
A9127	6" METAL STUD
A9226	2 1/2" THICK GYP BOARD W/ LEVEL 5 FINISH. FLOAT SMOOTH AND APPLY WOOD VENEER
A9009	SUSPENDED LIGHTING FIXTURE. SEE ELECTRICAL DWGS
A9922	SPECIALTY SUSPENDED LIGHTING FIXTURE. SEE ELECTRICAL DWGS
A9031	SUSPENDED WOOD SLAT CEILING SYSTEM. BASIS OF DESIGN: ARMSTRONG WOODWORKS GRILLE 7266
A9532	1/2" GYP BOARD CEILING. PAINTED
A9174	WALL MOUNTED LIGHT FIXTURE. SEE ELECTRICAL DWGS
A9722	NEW WOOD SLAT SYSTEM APPLIED TO EXISTING WALL. BASIS OF DESIGN: ARMSTRONG WOODWORKS GRILLE 7266
A9723	NEW WOOD WAINSCOTING
A9724	PROVIDE NEW WOOD SLAT SYSTEM TO WALL AS SHOWN IN RENDERING. BASIS OF DESIGN: ARMSTRONG WOODWORKS GRILLE 7266
A9728	WOOD BASE BOARD TO MATCH WAINSCOT BASE
A12103	CUSTOM RECEPTION DESK. MATCH CURVE OF OVERHEAD SOFFIT
A12104	CORIAN SOLID SURFACE. TYP
A9007	EXISTING WALL. TO REMAIN. PROTECT & MAINTAIN



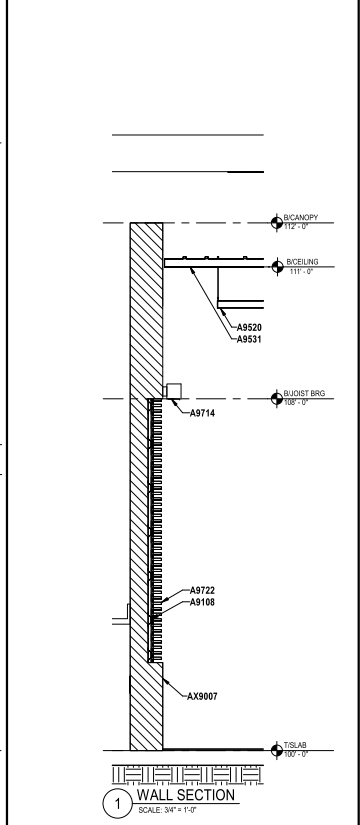
2 PURLIN ATTACHMENT DETAIL
SCALE: 1 1/2" = 1'-0"



7 WALL SECTION
SCALE: 3/4" = 1'-0"



3 WALL SECTION
SCALE: 3/4" = 1'-0"



1 WALL SECTION
SCALE: 3/4" = 1'-0"

LONG & ASSOCIATES
architects | engineers | inc.

4025 South Woodlands Avenue, Tampa, FL 33611-2000
TEL: 813.973.8200 FAX: 813.973.0155
www.longandassociates.com

PROJECT NO. 2020-001
DATE: 07/01/2022

ADMISSIONS CENTER IMPROVEMENTS

FLORIDA POLYTECHNIC UNIVERSITY

454P POLYTECHNIC CIRCLE
LAKELAND, FL 33805

NOT FOR CONSTRUCTION

ALEXANDER M. LONG, A.S.A.
ARCHITECT

NO.	DATE	ISSUES & REVISIONS
06/09/22	80% OWNER REVIEW	
07/01/22	100% OWNER REVIEW	

TO THE BEST OF THE ARCHITECTS AND/OR ENGINEER'S KNOWLEDGE THESE PLANS AND SPECIFICATIONS COMPLY WITH THE APPLICABLE MINIMUM BUILDING CODES AND THE APPLICABLE FIRE SAFETY STANDARDS.

100% OWNER REVIEW
Checked By: CHA
Job No: 2020
Date: 07/01/2022

SECTIONS

A3.1

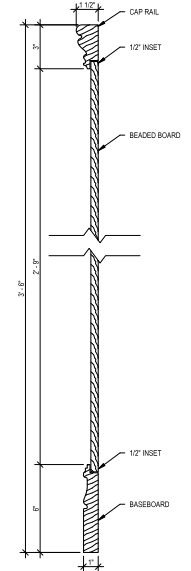
Sheet
NOT FOR CONSTRUCTION
 ALEXANDER M. LONG, A.I.A.
 ARCHITECT

NO.	DATE	ISSUES & REVISIONS

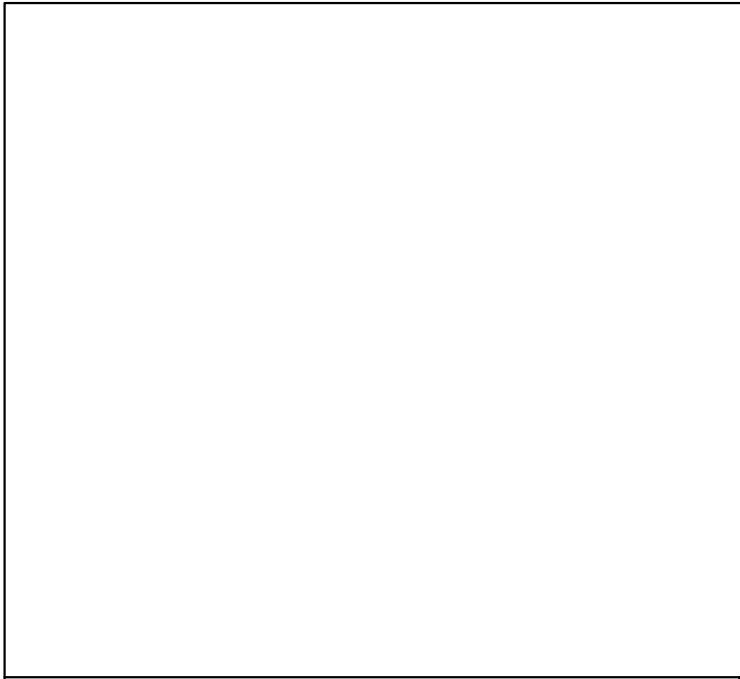
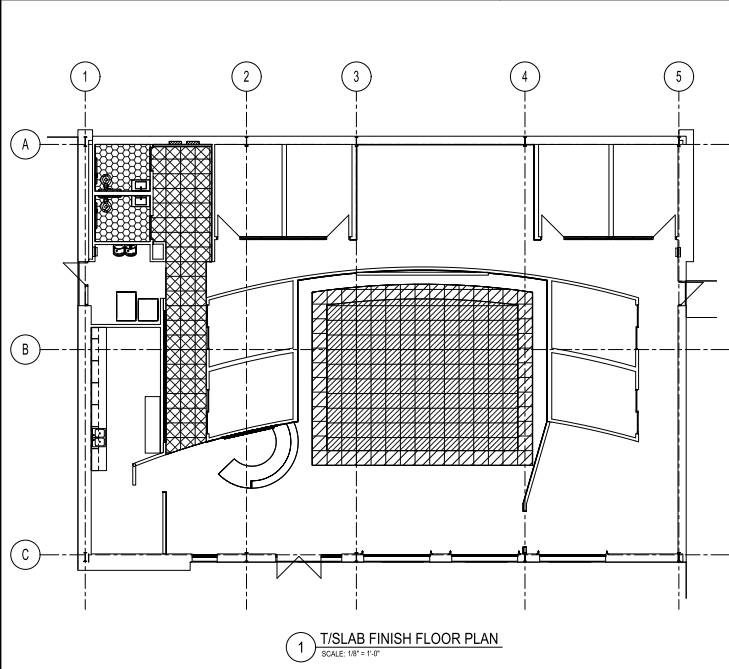
TO THE BEST OF THE ARCHITECTS AND/OR ENGINEERS KNOWLEDGE THESE PLANS AND SPECIFICATIONS COMPLY WITH THE APPLICABLE MINIMUM BUILDING CODES AND THE APPLICABLE FIRE SAFETY STANDARDS.

100% OWNER REVIEW
 Prepared By: CHA
 Checked By: CR
 Job No: 2103
 Date: 07/01/2022
13/0001-21030004

KEYNOTE LEGEND	
NO.	DESCRIPTION



FINISH SCHEDULE									
GABRET TILES:	<table border="0"> <tr> <td>INTERFACE 2X2</td> <td>INTERFACE 2X2</td> <td>INTERFACE 2X2</td> </tr> <tr> <td>VIVA COLORES AMATISTA COLOR</td> <td>BROWNSTONE FIFTH AVE COLOR</td> <td>LA PAZ TANGO COLOR</td> </tr> </table>	INTERFACE 2X2	INTERFACE 2X2	INTERFACE 2X2	VIVA COLORES AMATISTA COLOR	BROWNSTONE FIFTH AVE COLOR	LA PAZ TANGO COLOR		
INTERFACE 2X2	INTERFACE 2X2	INTERFACE 2X2							
VIVA COLORES AMATISTA COLOR	BROWNSTONE FIFTH AVE COLOR	LA PAZ TANGO COLOR							
PAINT:	<table border="0"> <tr> <td>SHERMAN WILLIAMS</td> </tr> <tr> <td>FIELD COLOR: MATCH EXISTING</td> </tr> </table>	SHERMAN WILLIAMS	FIELD COLOR: MATCH EXISTING						
SHERMAN WILLIAMS									
FIELD COLOR: MATCH EXISTING									
CEILINGS:	<table border="0"> <tr> <td>ARMSTRONG</td> </tr> <tr> <td>WOODWORK'S GRILLE 7956 W/ ROD</td> </tr> </table>	ARMSTRONG	WOODWORK'S GRILLE 7956 W/ ROD						
ARMSTRONG									
WOODWORK'S GRILLE 7956 W/ ROD									
WAINSCOT:	<table border="0"> <tr> <td>BEADBOARD W/ CAP RAIL & BASEBOARD</td> </tr> </table>	BEADBOARD W/ CAP RAIL & BASEBOARD							
BEADBOARD W/ CAP RAIL & BASEBOARD									
RESTROOMS:	<table border="0"> <tr> <td>DALTILE</td> <td>DALTILE</td> <td>DALTILE</td> <td>WALLPAPER</td> </tr> <tr> <td>BEE HIVE MILEY - GREY P110 FLOOR TILE</td> <td>ANNAPOLIS POP WALL TILE</td> <td>MARVEL MISTIQUE M101 WALL BAND TILE</td> <td> </td> </tr> </table>	DALTILE	DALTILE	DALTILE	WALLPAPER	BEE HIVE MILEY - GREY P110 FLOOR TILE	ANNAPOLIS POP WALL TILE	MARVEL MISTIQUE M101 WALL BAND TILE	
DALTILE	DALTILE	DALTILE	WALLPAPER						
BEE HIVE MILEY - GREY P110 FLOOR TILE	ANNAPOLIS POP WALL TILE	MARVEL MISTIQUE M101 WALL BAND TILE							
SIGNATURE HARDWARE:	<table border="0"> <tr> <td>24" FREY RUSSET BROWN</td> <td>RECTANGULAR CERAMIC WALL MOUNTED OR VESSEL SINK W/ COUNTER SPACE</td> <td>ZURN ZIB66-ALCV GUMBERLAND SERIES E2 GEAR DRIVEN SENSOR FAUCET</td> </tr> </table>	24" FREY RUSSET BROWN	RECTANGULAR CERAMIC WALL MOUNTED OR VESSEL SINK W/ COUNTER SPACE	ZURN ZIB66-ALCV GUMBERLAND SERIES E2 GEAR DRIVEN SENSOR FAUCET					
24" FREY RUSSET BROWN	RECTANGULAR CERAMIC WALL MOUNTED OR VESSEL SINK W/ COUNTER SPACE	ZURN ZIB66-ALCV GUMBERLAND SERIES E2 GEAR DRIVEN SENSOR FAUCET							
RECEPTION DESK:	<table border="0"> <tr> <td>RECEPTION DESK SURFACE</td> </tr> <tr> <td>CORIAN SOLID SURFACE DEEP ANTRACITE</td> </tr> </table>	RECEPTION DESK SURFACE	CORIAN SOLID SURFACE DEEP ANTRACITE						
RECEPTION DESK SURFACE									
CORIAN SOLID SURFACE DEEP ANTRACITE									



1910 GENERAL SPECIFICATIONS.

1910.1 ALL SECTIONS ARE INTERRELATED AND WHAT IS CALLED FOR BY ONE SECTION SHALL BE DEEMED AS REQUIRED BY THE OTHER SECTIONS. TYPES OF MATERIAL MAY BE SPECIFIED BY MANUFACTURER'S NAME AND CATALOG NUMBER IN ORDER TO ESTABLISH STANDARDS OF QUANTITY AND PERFORMANCE. UNLESS STATED OTHERWISE, THE BIDDER MAY ASSUME "OR EQUIVALENT AS APPROVED BY THE ENGINEER." BIDDER MUST REQUEST THE ENGINEER'S APPROVAL IN WRITING TO SUBSTITUTE SUCH ITEM FOR THE SPECIFIED ITEM.

1910.2 FURNISH ALL LABOR, MATERIAL, EQUIPMENT AND TOOLS FOR THE WORK INDICATED ON THE DRAWINGS OR AS SPECIFIED HEREIN. ALL MATERIALS AND APPLIANCES, OBVIOUSLY PART OF THE ELECTRICAL SYSTEM AND NECESSARY FOR ITS PROPER OPERATION BUT NOT SPECIFICALLY MENTIONED OR SHOWN ON THE DRAWINGS, SHALL BE FURNISHED AND INSTALLED WITHOUT ADDITIONAL CHARGE.

1910.3 BIDDER SHALL VISIT THE SITE OF THE PROJECT TO ACQUAINT HIMSELF WITH THE DIFFICULTIES WHICH MAY ATTEND THE EXECUTION OF THE WORK AS SHOWN ON THE DRAWINGS AND AS SPECIFIED HEREIN. THE SUBMISSION OF A BID PROPOSAL SHALL BE CONSTRUED AS EVIDENCE THAT SUCH A VISIT AND INVESTIGATION HAS BEEN MADE, CLAIMS FOR LABOR, EQUIPMENT OR MATERIALS FOR DIFFICULTIES ENCOUNTERED SHALL NOT BE CONSIDERED.

1910.4 DRAWINGS ARE GENERALLY DIAGRAMMATIC AND SHOW THE ARRANGEMENT OF FIXTURES, EQUIPMENT AND CONDUIT. CAREFULLY INVESTIGATE THE STRUCTURAL AND FINISH CONDITIONS AFFECTING THIS WORK AND ARRANGE THIS WORK ACCORDINGLY. SHOULD CONDITIONS ON THE JOB MAKE IT NECESSARY TO REARRANGE CONDUIT OR EQUIPMENT, SO ADVISE THE ENGINEER OR OWNER AND SECURE APPROVAL BEFORE PROCEEDING WITH SUCH WORK. COORDINATE ALL WORK WITH OTHER TRADES AND THE OWNER.

1910.5 WHERE EQUIPMENT IS IDENTIFIED BY MANUFACTURER AND CATALOG NUMBER, IT SHALL BE CONSTRUED AS THE MINIMUM BASE OF DESIGN REQUIREMENTS FOR QUALITY AND PERFORMANCE. CONTRACTOR MAY SUBMIT FOR APPROVAL, SIMILAR EQUIPMENT OF OTHER MANUFACTURERS AS SUBSTITUTION. THE ENGINEER'S DECISION REGARDING ACCEPTABILITY SHALL BE FINAL AND BINDING.

1910.6 PROVIDE AND MAINTAIN AT THE SITE A SET OF PRINTS ON WHICH SHALL BE ACCURATELY SHOWN THE ACTUAL INSTALLATION OF ALL WORK UNDER THIS CONTRACT INCLUDING CHANGES IN SIZES, LOCATIONS AND DIMENSIONS. THE PROGRESS PRINTS SHALL BE AVAILABLE FOR REVIEW BY THE ENGINEER OR OWNER AT THE COMPLETION OF THE WORK. PREPARE A SET OF RECORD DRAWINGS OF THE WORK AS ACTUALLY NOTED ON THE MARKED-UP PRINTS, INCLUDING DIMENSIONED LOCATION OF ALL UNDERGROUND CONDUITS.

1910.7 SUBMIT FOR APPROVAL COMPLETE SHOP DRAWINGS, INCLUDING THE DETAILS OF ALL MATERIALS, EQUIPMENT AND SYSTEMS TO BE FURNISHED UNDER THIS CONTRACT. SUBMIT ONE (1) ELECTRONIC (PDF) COPY AND ONE (1) HARD COPY AS REQUIRED BY THE CONTRACT DOCUMENTS. SUBMITTAL SHALL INCLUDE THE TYPE OF MATERIAL, MANUFACTURER, TECHNICAL SPECIFICATIONS, DIMENSIONS AND CATALOG OR MODEL NUMBER FOR EACH ITEM. REVIEW OF SHOP DRAWINGS DOES NOT RELIEVE THE CONTRACTOR FROM THE RESPONSIBILITY OF SHOP DRAWING ERRORS OR OMISSIONS. THE CONTRACTOR SHALL CAREFULLY CHECK AND CORRECT ALL SHOP DRAWINGS PRIOR TO SUBMISSION FOR REVIEW.

1910.8 PROVIDE A MINIMUM OF FOUR (4) COPIES OF COMPLETE OPERATING AND MAINTENANCE MANUALS.

1910.9 FURNISH ALL LABOR, MATERIALS, INSTRUMENTS, SUPPLIES AND SERVICES, AND BEAR ALL COSTS FOR THE ACCOMPLISHMENT OF TEST HEREIN SPECIFIED OR REQUESTED AT THE JOB SITE. CORRECT ALL DEFECTS APPEARING UNDER TEST, AND REPEAT THE TEST UNTIL NO DEFECTS ARE DISCLOSED. THE CONTRACTOR SHALL DEMONSTRATE THE OPERATION OF ALL SYSTEMS AND EQUIPMENT TO THE SATISFACTION OF THE ENGINEER AND OWNER. PROVIDE ALL PERSONNEL AND TEST EQUIPMENT AS REQUIRED TO CONTROL AND DEMONSTRATE THE PROPER OPERATION OF ALL SYSTEMS AND EQUIPMENT.

1920 TESTING AND AIR BALANCING

1) THE CONTRACTOR SHALL PREPARE THE AIR SYSTEMS FOR BALANCING AND VERIFY SAME IN WRITING FOR TEST AND BALANCE AGENCY AS FOLLOWS:

- A) MECHANICALLY AND ELECTRICALLY CHECK FANS, BLOWERS AND AIR HANDLING EQUIPMENT AND MAKE SUCH AVAILABLE TO OPERATE UNDER DESIGN CONDITIONS, AND WITHIN NAMEPLATE DATA.
- B) SET VOLUME DAMPERS, AIR DAMPERS AND VANES IN THEIR DESIGNED POSITION.
- C) SET GRILLES, DIFFUSERS, ETC. INSTALLED WITH VANES, BLADES IN THEIR DESIGNED POSITION.
- D) MECHANICALLY AND ELECTRICALLY CHECK CONTROLS, WHETHER THEY ARE ELECTRONIC, ELECTRIC OR PNEUMATIC OR A COMBINATION THEREOF, AND INSURE OPERATION UNDER DESIGN CONDITIONS.
- E) ALL AIR FILTERS WILL BE REPLACED PRIOR TO THE BEGINNING OF THE TEST AND BALANCE WITH NEW FILTERS OF THE SPECIFIED MERV RATING.

2) THE TEST AND BALANCE AGENCY SHALL PERFORM THE FOLLOWING TESTS AND BALANCE AS FOLLOWS PRIOR TO COMMENCEMENT OF WORK AND RECORD READINGS FOR EXISTING OPERATION, AND PERFORM THE TEST AND BALANCE AFTER COMPLETION OF INDICATED WORK:

- A) TEST AND RECORD MOTOR FULL LOAD AMPERES.
- B) MAKE PITOT TUBE TRAVERSE OF MAIN SUPPLY AND RETURN DUCTS AND OBTAIN DESIGN CFM AT FANS.
- C) TEST AND RECORD SYSTEM TOTAL PRESSURES, INLET AND DISCHARGE.
- D) TEST AND ADJUST SYSTEM FOR DESIGN CFM INSIDE AIR.
- E) TEST AND ADJUST SYSTEM FOR DESIGN CFM OUTSIDE AIR.
- F) TEST AND RECORD ENTERING AIR TEMPERATURES (I.E. HEATING AND COOLING, WET BULB WB FOR COOLING).
- G) TEST AND RECORD LEAVING AIR TEMPERATURES (I.E. HEATING AND COOLING, WB FOR COOLING).
- H) ADJUST ALL MAIN SUPPLY AND RETURN AIR DUCTS TO INDICATED DESIGN CFM.
- I) TEST AND ADJUST EACH DIFFUSER, GRILLE AND REGISTER TO WITHIN 10% OF DESIGN REQUIREMENTS.
- J) EACH GRILLE, DIFFUSER AND REGISTER SHALL BE IDENTIFIED AS TO LOCATION, AREA AND SYSTEM.

1930 METAL DUCTS

1930.1 FABRICATE DUCTWORK FROM GALVANIZED SHEET STEEL, LOCK FORMING QUALITY, ASTM A 653A 653M G90 (Z275) COATING DESIGNATION. MILL PHOSPHORIZED FINISH SURFACES OF DUCTS EXPOSED TO VIEW. ALL DUCTWORK SHALL HAVE MANUFACTURER'S STAMP, STENCIL, OR OTHER MARKING METAL GAUGE, THEREON, REINFORCEMENT SHAPES AND PLATES. GALVANIZED STEEL REINFORCEMENT THERE INSTALLED ON GALVANIZED SHEET METAL DUCTS. THE RODS, GALVANIZED STEEL 1/4-INCH DIAMETER FOR 30-INCH LENGTH OR LESS, 3/8-INCH MINIMUM DIAMETER FOR LENGTHS LONGER THAN 36 INCHES.

1930.2 FABRICATE DUCTS RECTANGULAR AND ROUND, ELBOWS, TRANSITIONS, OFFSETS, BRANCH CONNECTIONS, AND OTHER CONSTRUCTION WITH GALVANIZED SHEET STEEL, ACCORDING TO SMACNA HVAC DUCT CONSTRUCTION STANDARDS. METAL AND FLEXIBLE, COMPLY WITH REQUIREMENTS FOR METAL THICKNESS, REINFORCING TYPES AND INTERVALS, TIE ROD APPLICATIONS AND JOINT TYPES AND INTERVALS.

1930.3 DUCT SEALANT: NON-HARDENING, NON-HARDENING MASTIC OR LIQUID ELASTIC SEALANT, TYPE APPLICABLE FOR FABRICATION INSTALLATION ON SETS, SPECIFICALLY FOR GVENTING FITTING ORNAMENTS, OR LONGITUDINAL SEAMS IN SHEET/METAL AIR DUCTS.

1930.4 STATO PRESSURE CLASSIFICATION: SUPPLY DUCTS: 4-INCH W.G. FROM AIR HANDLING UNIT DISCHARGE AND MAIN TRUNKS; SUPPLY DUCTS: 2-INCH W.G. RUN-OUTS FROM MAIN TRUNKS; RETURN DUCTS: 2-INCH W.G. NEGATIVE PRESSURE.

1990 DUCT ACCESSORIES

1990.1 ACCESSORIES AND ATTACHMENTS:
 BANGES: 24 INCH (19 MM) HOLES IN ONE OF THE FOLLOWING MATERIALS COMPATIBLE WITH JACKET:
 STAINLESS STEEL: ASTM A 661, TYPE 304, 0.020 INCH (0.5 MM) THICK.
 GALVANIZED STEEL: 0.020 INCH (0.5 MM) THICK.
 ALUMINUM: 0.007 INCH (0.18 MM) THICK.
 BRASS: 0.010 INCH (0.25 MM) THICK.
 NICKEL-COPPER ALLOY: 0.005 INCH (0.13 MM) THICK.
 WIRE: 0.060 INCH (2.0 MM), NICKEL-COPPER ALLOY; 0.062 INCH (1.6 MM), SOFT-ANNEALED, STAINLESS STEEL; OR 0.062 INCH (1.6 MM), SOFT-ANNEALED, GALVANIZED STEEL.

1990.2 WELD-ATTACHED ANCHOR PINS AND WASHERS: COPPER-COATED STEEL PIN FOR CAPACITOR DISCHARGE WELDING AND GALVANIZED SPEED WASHER. PIN LENGTH SUFFICIENT FOR INSULATION THICKNESS INDICATED. WELDED WITH HOLDING CAPACITY: 100 LBS (45 KG) FOR DIRECT FULL PERPENDICULAR TO THE ATTACHED SURFACE.

1990.3 ADHESIVE-ATTACHED ANCHOR PINS AND SPEED WASHERS: GALVANIZED STEEL PLATE PIN AND WASHER MANUFACTURED FOR ATTACHMENT TO DUCT AND PLENUM WITH ADHESIVE. PIN LENGTH SUFFICIENT FOR INSULATION THICKNESS INDICATED.
 ADHESIVE: RECOMMENDED BY THE ANCHOR PIN MANUFACTURER AS APPROPRIATE FOR SURFACE TEMPERATURES OF DUCTS, PLENUMS, AND BREECHINGS, AND TO ACHIEVE A HOLDING CAPACITY OF 100 LBS (45 KG) FOR DIRECT FULL PERPENDICULAR TO THE ADHERED SURFACE.

1990.4 MASTIC RETARDERS:
 MASTICS: MATERIALS RECOMMENDED BY INSULATION MATERIAL MANUFACTURER THAT ARE COMPATIBLE WITH INSULATION MATERIALS, JACKETS, AND SUBSTRATES.

LEGEND

	MOTORIZED DAMPER, OPPOSED BLADE	BTUH	BRITH THERMAL UNITS PER HOUR
	MANUAL VOLUME DAMPER	CD	CEILING DIFFUSER
	MOTORIZED DAMPER, PARALLEL BLADE	CFM	CENTRIFUGAL
	HOESE END DRAIN VALVE	CCF	CUBIC FEET PER MINUTE
	FLEX DUCT	CMR	COMPRESSOR
	90 ELBOW WITH TURNING VANES	CLG	CEILING
	SUPPLY AIR DIFFUSER OR GRILLE	CO	CLEANOUT
	RETURN/EXHAIR REGISTER OR GRILLE	DL	DRY BULB
	EXHAUST	DO	DOOR LOUVER
	SUPPLY DUCT SECTION	DN	DOWN
	RETURN/EXHAIR DUCT SECTION	DP	DIFFERENTIAL PRESSURE
	DIRECTION OF BLOW	DX	DIRECT EXPANSION
	FLEX DUCT CONNECTOR	EA	EACH
	THERMOSTAT	EF	EXHAUST FAN
	TEMPERATURE SENSOR, AVERAGING TYPE	EFF	EFFICIENCY
	TEMPERATURE SENSOR, IMMERSION TYPE	EL	ELEVATION
	HUMIDITY SENSOR, DUCT MOUNTED	EMCS	ENERGY MGMT & CONTROL SYSTEM
	CO2 SENSOR, DUCT MOUNTED	ES	END SWITCH
	VIBRATION SWITCH	EXT	EXTERNAL
	ROUND, DIAMETER	F°	DEGREES FAHRENHEIT
	FLAT OVAL	FC	FORWARD CURVE
	PHASE	FD	FRE DAMPER
	DOOR/LOUVER (12x10UO)	FL DR	FLOOR DRAIN
	UNDERCUT DOOR (1UO)	FT	FEET
	ACCESS DOOR (DUCT AND EQUIPMENT)	FFM	FEET PER MINUTE
	AIR DEVICE NO "X"	GM	GALLONS PER MINUTE
	ABOVE FINISHED FLOOR	GR	GRILLE
	AUTOMATIC TEMPERATURE CONTROL	GP	GALLONS PER MINUTE
	LIMIT OF CONSTRUCTION	HB	HOESE BBB
	LIMIT OF DEMOLITION	HZ	HORSEPOWER
	INCHES	HP	CYCLE
	KW	IN	INCHES
	KW	KL	KILOWATTS
	MAX	MX	MAXIMUM
	1,000 BRITISH THERMAL UNITS PER HOUR	MAB	MAXIMUM
	MANUFACTURER	MD	MANUFACTURER
	MOTORIZED DAMPER	MP	MOTORIZED DAMPER
	MAIN CIRCUIT BREAKER	MCB	MAIN CIRCUIT BREAKER
	NOISE CRITERIA	NC	NOISE CRITERIA
	NEXT	NK	NEXT
	NOT TO SCALE	NTS	NOT TO SCALE
	OUTSIDE AIR	OAO	OUTSIDE AIR
	OPPOSED BLADE DAMPER	OB	OPPOSED BLADE DAMPER
	DIFFERENCE IN PRESSURE	Δ P	DIFFERENCE IN PRESSURE
	PLACES	PL	PLACES
	POWER ROOF VENT	PRV	POWER ROOF VENT
	POUND PER SQUARE INCH (GAUGE)	PSI	POUND PER SQUARE INCH (GAUGE)
	RETURN AIR	RA	RETURN AIR
	REGISTER	REG	REGISTER
	ROOM	RM	ROOM
	REVOLUTIONS PER MINUTE	RP	REVOLUTIONS PER MINUTE
	ROOM SENSOR	RS	ROOM SENSOR
	SUPPLY AIR	SA	SUPPLY AIR
	SMOKE DETECTOR	SD	SMOKE DETECTOR
	STATIC PRESSURE	SP	STATIC PRESSURE
	STAINLESS STEEL	SS	STAINLESS STEEL
	SWITCH	SW	SWITCH
	TEMPERATURE	TEMP	TEMPERATURE
	TYPICAL	TP	TYPICAL
	UNDERCUT DOOR	UC	UNDERCUT DOOR
	UNLESS OTHERWISE NOTED	UN	UNLESS OTHERWISE NOTED
	VOLTS	V	VOLTS
	VARIABLE AIR VOLUME	VAV	VARIABLE AIR VOLUME
	VOLUME DAMPER (MANUAL)	VD	VOLUME DAMPER (MANUAL)
	VENT THRU ROOF	YTR	VENT THRU ROOF
	WET BULB	WB	WET BULB
	WATER GAUGE	WG	WATER GAUGE
	TRANSFER	XFR	TRANSFER
	BACKDRAFT DAMPER	BDD	BACKDRAFT DAMPER
	BOTTOM OF DUCT	BDD	BOTTOM OF DUCT

HVAC GENERAL NOTES:

- A. ALL HVAC WORK SHALL BE IN ACCORDANCE WITH ALL APPLICABLE CODES AND NFPA REGULATIONS.
- B. DUCTWORK SHALL BE GALVANIZED STEEL. CONSTRUCT AND INSTALL PER ASHRAE AND SMACNA STANDARDS AND RECOMMENDATIONS.
- C. ALL SUPPLY DUCTWORK FROM AIR HANDLING UNITS TO ROOM OUTLETS SHALL BE LOW PRESSURE (1" SEAL CLASS B - ALL SINGLE ZONE AHU UNIT SUPPLY DUCTWORK SHALL BE LOW PRESSURE (2" SEAL CLASS B).
- D. ALL RETURN AND EXHAUST DUCTWORK SHALL BE LOW PRESSURE (N.F.D.), SEAL CLASS A.
- E. BEFORE FABRICATION, VERIFY AND COORDINATE ALL DIMENSIONS IN FIELD.
- F. SEE SMACNA STDS FOR WEIGHT, BRACING, REQUIREMENTS, ETC. OF DUCTWORK.
- G. ALL DUCTS SHALL BE GROUNDED ACROSS FLEXIBLE CONNECTIONS.
- H. FURNISH BUILDING ACCESS PANELS FOR ACCESS TO DEFLECTING DEVICES IN DUCTS, FIRE DAMPERS, CONTROLS, ETC.
- I. DUCT SIZES AND OPENINGS THRU WALL PARTITIONS SHALL SUIT EQUIPMENT FURNISHED.
- J. COORDINATE DIFFUSER AND REGISTER LOCATIONS WITH BUILDING STRUCTURE, LIGHTING LAYOUT AND CEILING PLAN.
- K. DUCTWORK LOCATIONS AND CLEARANCES SHALL BE COORDINATED WITH ALL OTHER TRADES. PREPARE SHOP AND COORDINATION DRAWINGS AT A 1/4" = 1'-0" SCALE.
- L. ALL EQUIPMENT, DUCTWORK, ETC. SHALL BE SUPPORTED AS REQUIRED. PROVIDE ADDITIONAL SUPPORTS AS REQUIRED TO PROVIDE VIBRATION-FREE, RIGID INSTALLATION.
- M. ALL DUCT SIZES SHOWN ARE CLEAR RIDGE (SHEET METAL) DIMENSIONS. ALLOW CLEARANCES FOR INSULATION REFER TO SPECIFICATIONS FOR INSULATION THICKNESSES.
- N. INSIDES OF DUCTS VISIBLE THROUGH GRILLES, REGISTERS OR DIFFUSERS SHALL BE PAINTED FLAT BLACK.
- O. DRAWINGS ARE DIAGRAMMATIC AND DO NOT SHOW ALL OFFSETS, BENDS, TRANSITIONS, DRIPS, ETC. THAT MAY BE REQUIRED TO AVOID ALL OTHER BUILDING ELEMENTS.
- P. ALL WORK SHALL BE COORDINATED WITH ALL OTHER TRADES INVOLVED. OFFSETS IN DUCTS AND PIPING (INCLUDING DIVIDED DUCTS) AND TRANSITIONS AROUND OBSTRUCTIONS SHALL BE PROVIDED AT NO ADDITIONAL COST TO THE OWNER. IN GENERAL, KEEP ALL DUCTWORK AS HIGH AS POSSIBLE. PREPARE COMPLETE COORDINATION AND SHOP DRAWINGS AS SPECIFIED.
- Q. PROVIDE FIRE DAMPERS AND ACCESS DOORS IN ALL DUCTS THRU RATED WALLS OR SLABS.
- R. COORDINATE LOCATIONS OF HOLES IN WALLS, SLABS AND FLOOR SLAB WITH GENERAL CONTRACTOR.
- S. ALL TAPS FOR LOW PRESSURE DUCT RUNOUTS SHALL BE AS INDICATED IN DRAWINGS AND DETAILS.
- T. ALL TAPS FOR LOW PRESSURE DUCTS FOR DIFFUSERS AND DUCTWORK BRANCH TAKEOFFS SHALL HAVE AN INDUCTIBLE VOLUME DAMPER.
- U. PROVIDE DAMPERS IN EACH SUPPLY, RETURN, AND EXHAUST BRANCH FOR BALANCING.
- V. ALL RECTANGULAR ELBOWS SHALL HAVE DOUBLE THICKNESS TURNING VANES.
- W. PROVIDE AUXILIARY SUPPORT CHANNELS FOR DUCTS AND OTHER SUSPENDED EQUIPMENT.
- X. ALL EXPOSED PIPING & AUTOMATIC IN FINISHED SPACES SHALL BE FIELD PAINTED.
- Y. ALL LOW VOLTAGE AUTOMATIC TEMPERATURE CONTROL AND EMCS WIRING SHALL BE CONCEALED IN CONDUIT.
- Z. ALL RETURN GRILLS SHALL BE PROTECTED BY FILTERS UNITS, TEST AND BALANCE IS DONE.

GENERAL DEMOLITION NOTES

- A. DRAWINGS INDICATE THE GENERAL EXTENT OF DEMOLITION AND DO NOT NECESSARILY INDICATE ALL SPECIFIC ITEMS THAT MUST BE REMOVED IN ORDER TO COMPLETE THE DEMOLITION WORK. PERFORM DEMOLITION WORK AS INDICATED AND SPECIFIED TO PROVIDE COMPLETE DEMOLITION.
- B. WHERE PIPING IS INDICATED TO BE REMOVED, IT SHALL MEAN THE COMPLETE REMOVAL OF PIPING, INCLUDING, BUT NOT LIMITED TO, PIPE FITTINGS, VALVES, STRAINERS, FLANGES, INSULATION, SUPPORTS, HANGERS, STRAPS, BASES, GOYS, BRACKETS, BRACES, ANCHORS, DEVICES AND INCIDENTAL ITEMS FASTENED, CONNECTED AND SUPPORTED FROM THE PIPING, UNLESS SPECIFICALLY INDICATED OTHERWISE.
- C. WHERE EQUIPMENT IS INDICATED TO BE REMOVED, IT SHALL MEAN THE COMPLETE REMOVAL OF EQUIPMENT, INCLUDING, BUT NOT LIMITED TO, PADS, FOUNDATIONS, SUPPORTS, HANGERS, STRAPS, BASES, GOYS, BRACKETS, BRACES, ANCHORS, DUCTWORK, PIPING AND INCIDENTAL ITEMS FASTENED, CONNECTED AND SUPPORTED FROM THE EQUIPMENT, UNLESS SPECIFICALLY INDICATED OTHERWISE.
- D. WHERE CONTROLS ARE INDICATED TO BE REMOVED, IT SHALL MEAN THE COMPLETE REMOVAL OF CONTROLS, INCLUDING, BUT NOT LIMITED TO, SENSORS, CONTROLLERS, RELAYS, SWITCHES, TRANSFORMERS AND OTHER CONTROL DEVICES, CONTROL PIPING, CONDUITS, SUPPORTS, HANGERS, STRAPS, BASES, GOYS, BRACKETS, BRACES, ANCHORS AND DEVICES FASTENED, CONNECTED AND SUPPORTED FROM THE CONTROL SYSTEM, UNLESS SPECIFICALLY INDICATED OTHERWISE.
- E. UNLESS OTHERWISE INDICATED, PATCH OPENINGS AND HOLES IN WALLS, FLOORS AND ROOFS LEFT FROM THE REMOVAL OF PIPING AND EQUIPMENT WITH MATERIALS AND FINISH TO MATCH EXISTING SURFACE.
- F. WHERE EXISTING EQUIPMENT, DUCTWORK, PIPING AND CONTROLS ARE INDICATED TO REMAIN, PROTECT FROM DAMAGE AND MAINTAIN IN SERVICE.
- G. COORDINATE SHUTDOWN OF ALL UTILITIES AND EQUIPMENT WITH THE MAINTENANCE DEPARTMENT.
- H. ALL ITEMS OF DEMOLITION SHALL BECOME THE PROPERTY OF THE CONTRACTOR (BIDDER) OF ITEMS OFF SITE IN ACCORDANCE WITH APPLICABLE FEDERAL, STATE AND LOCAL LAWS, RULES AND ORDINANCES.
- I. NO OPEN BURNING SHALL BE PERMITTED.
- J. CONTRACTOR SHALL NOTIFY OWNER OR THE ENGINEER OF ANY DAMAGE TO THE EXISTING CONDITIONS PRIOR TO COMMENCING WORK.

LONG & ASSOCIATES
 ARCHITECTS | ENGINEERS | INC.
 4325 South Woodhollow Avenue, Suite 100, Ft. Lauderdale, FL 33309
 TEL: 954.574.1100
 FAX: 954.574.1105
 www.longandassociates.com
 LICENSE NO. 13000
 LICENSE NO. 13000
 LICENSE NO. 13000

ADMISSIONS CENTER IMPROVEMENTS
 FLORIDA POLYTECHNIC UNIVERSITY
 430P POLYTECHNIC CIRCLE
 FT. LAUDERDALE, FL 33305

NOT FOR CONSTRUCTION
 DANIEL C. REBERA, P.E.
 P.E. 3068

NO.	DATE	ISSUES & REVISIONS
08-07-21	08/07/2022	80% OWNER REVIEW

90% OWNER REVIEW
 Drawn By: _____
 Checked By: _____ DCH
 Job No: 2108
 Date: 06/07/2022

GENERAL NOTES & LEGEND

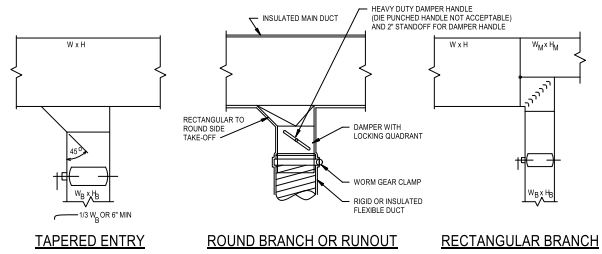
MO.1

CODE COMPLIANCE
 THIS PROJECT COMPLIES WITH THE REQUIREMENTS OF THE FLORIDA BUILDING CODE 7TH EDITION (2020)

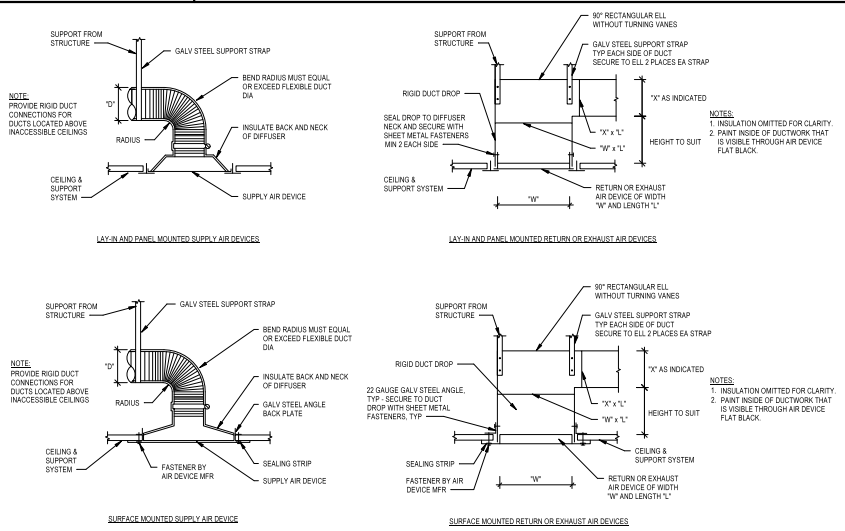
AIR DEVICE SCHEDULE													
TAG	SERVICE	TYPE	BORDER	NECK SIZE (IN)	FACE SIZE (IN)	AIR VOLUME (CFM)	MAX SP LOSS (IN WC)	MAX NC	MATERIAL	FINISH	MFR	MODEL	NOTES
AD-1	SIDEWALL SUPPLY	LOWERED FACE	SURFACE MOUNT	SEE PLANS	SEE PLANS	SEE PLANS	---	---	ALUMINUM	WHITE	---	---	1.2.3

NOTES:

- FURNISH WITH FRONT BLADES PARALLEL TO SHORT DIMENSION AND WITH 3/4" SPACING BETWEEN BLADES. ADJUST FRONT BLADES FOR 22 1/2" SPREAD.
- AIR VOLUME, MAX SP LOSS AND MAX NC ARE TO DEFINE PERFORMANCE ONLY. SEE PLANS FOR ACTUAL AIR VOLUME.
- FURNISH WITH OPPOSED BLADE DAMPERS FOR DUCT MOUNTED AND HARD CEILING INSTALLATIONS.



2 BRANCH DUCT DETAIL
SCALE: NTS



1 AIR DEVICE CONNECTION DETAILS
SCALE: NTS

Sheet

NOT FOR CONSTRUCTION

DANIEL G. REBERDA, P.E.
P.E. 3088

NO.	DATE	ISSUES & REVISIONS
08-07-21		80% OWNER REVIEW

TO THE BEST OF THE ARCHITECTS AND/OR ENGINEERS KNOWLEDGE THESE PLANS AND SPECIFICATIONS COMPLY WITH THE APPLICABLE MINIMUM BUILDING CODES AND THE APPLICABLE FIRE SAFETY STANDARDS.

90% OWNER REVIEW

Drawn By: [Signature] DCH
Checked By: [Signature] DCH
Job No: 21050
Date: 06/07/2022

43-0002-001-03-00A

SCHEDULE AND DETAILS

M3.1

GENERAL SPECIFICATIONS:

- G5-1 ALL SECTIONS ARE INTERRELATED AND WHAT IS CALLED FOR BY ONE SECTION SHALL BE DEEMED AS REQUIRED BY THE OTHER SECTIONS. TYPES OF MATERIAL MAY BE SPECIFIED BY MANUFACTURERS NAME AND CATALOG NUMBER IN ORDER TO ESTABLISH STANDARDS OF QUALITY AND PERFORMANCE. UNLESS STATED OTHERWISE, THE BODEN MAY ASSUME OR EQUIVALENT AS APPROVED BY THE ENGINEER. BIDDERS MUST REQUEST THE ENGINEERS APPROVAL IN WRITING TO SUBSTITUTE SUCH ITEM FOR THE SPECIFIED ITEM.
- G5-2 FURNISH ALL LABOR, MATERIAL EQUIPMENT AND TOOLS FOR THE WORK INDICATED ON THE DRAWINGS OR AS SPECIFIED HEREIN. ALL MATERIALS AND APPLIANCES, UNLESS PART OF THE ELECTRICAL SYSTEMS AND NECESSARY FOR ITS PROPER OPERATION BUT NOT SPECIFICALLY MENTIONED OR SHOWN ON THE DRAWINGS, SHALL BE FURNISHED AND INSTALLED WITHOUT ADDITIONAL CHARGE.
- G5-3 BIDDERS SHALL VISIT THE SITE OF THE PROJECT TO ACQUAINT HIMSELF WITH THE DIFFICULTIES WHICH MAY ATTEND THE EXECUTION OF THE WORK AS SHOWN ON THE DRAWINGS AND AS SPECIFIED HEREIN. THE SUBMISSION OF A BID PROPOSAL SHALL BE CONSIDERED AS EVIDENCE THAT SUCH A VISIT AND INVESTIGATION HAS BEEN MADE. CLAIMS FOR LABOR EQUIPMENT OR MATERIALS FOR DIFFICULTIES ENCOUNTERED SHALL NOT BE CONSIDERED.
- G5-4 DRAWINGS ARE GENERALLY DIAGRAMMATIC AND SHOW THE ARRANGEMENT OF FIXTURES, EQUIPMENT AND CONDUIT. CAREFULLY INVESTIGATE THE STRUCTURAL AND FINISH CONDITIONS AFFECTING THIS WORK AND ARRANGE THIS WORK ACCORDINGLY. SHOULD CONDITIONS ON THE JOB MAKE IT NECESSARY TO REARRANGE CONDUIT OR EQUIPMENT, SO ADVISE THE ENGINEER OR OWNER AND SECURE APPROVAL BEFORE PROCEEDING WITH SUCH WORK. COORDINATE ALL WORK WITH OTHER TRADES AND THE OWNER.
- G5-5 WHERE EQUIPMENT IS IDENTIFIED BY MANUFACTURERS AND CATALOG NUMBER, IT SHALL BE CONSTRUED AS THE MINIMUM BASE OF DESIGN REQUIREMENTS FOR QUALITY AND PERFORMANCE. CONTRACTOR MAY SUBMIT FOR APPROVAL SIMILAR EQUIPMENT OR EQUIPMENT OF MANUFACTURERS AS SUBSTITUTION. THE ENGINEERS DECISION REGARDING ACCEPTABILITY SHALL BE FINAL AND BINDING.
- G5-6 PROVIDE AND MAINTAIN AT THE SITE A SET OF PRINTS ON WHICH SHALL BE RECORDED THE ACTUAL LOCATION OF ALL WORK UNDER THIS CONTRACT INCLUDING CHANGES IN SIZES, LOCATIONS AND DIMENSIONS. THE PROGRESS PRINTS SHALL BE AVAILABLE FOR REVIEW BY THE ENGINEER OR OWNER AT THE COMPLETION OF THE WORK. PREPARE A SET OF RECORD DRAWINGS OF THE WORK AS ACTUALLY NOTED ON THE MARKED UP PRINTS, INCLUDING DIMENSIONED LOCATION OF ALL UNDERGROUND CONDUITS.
- G5-7 SUBMIT FOR APPROVAL COMPLETE SHOP DRAWINGS INCLUDING THE DETAILS OF ALL MATERIALS, EQUIPMENT AND SYSTEMS TO BE FURNISHED UNDER THIS SECTION. SUBMIT DIGITAL (PDF) COPIES AS REQUIRED BY THE CONTRACT DOCUMENTS. SUBMITTAL SHALL INCLUDE THE TYPE OF MATERIAL, MANUFACTURER, TECHNICAL SPECIFICATIONS, DIMENSIONS, AND CATALOG OR MODEL NUMBER FOR EACH ITEM. REVIEW OF SHOP DRAWINGS DOES NOT RELIEVE THE CONTRACTOR FROM THE RESPONSIBILITY OF SHOP DRAWING ERRORS OR OMISSIONS. THE CONTRACTOR SHALL CAREFULLY CHECK AND CORRECT ALL SHOP DRAWINGS PRIOR TO SUBMISSION FOR REVIEW.
- G5-8 PROVIDE A MINIMUM OF FOUR (4) COPIES OF COMPLETE OPERATING AND MAINTENANCE MANUALS.
- G5-9 FURNISH ALL LABOR, MATERIALS, INSTRUMENTS, SUPPLIES AND SERVICES AND BEAR ALL COSTS FOR THE ACCOMPLISHMENT OF TEST HEREIN SPECIFIED OR INDICATED ON THE DRAWINGS. CORRECT ALL DEFECTS APPEARING UNDER TEST AND REPEAT THE TEST UNTIL NO DEFECTS ARE DISCLOSED. THE CONTRACTOR SHALL DEMONSTRATE THE OPERATION OF ALL SYSTEMS AND EQUIPMENT TO THE SATISFACTION OF THE ENGINEER AND OWNER. PROVIDE ALL PERSONNEL AND TEST EQUIPMENT AS REQUIRED TO CONDUCT AND DEMONSTRATE THE PROPER OPERATION OF ALL SYSTEMS AND EQUIPMENT.
- G5-10 PROVIDE A ONE YEAR WARRANTY FOR ALL LABOR AND MATERIALS.

STANDARDS:

- S1-1 ALL MATERIALS AND EQUIPMENT FURNISHED UNDER THIS SECTION SHALL BE NEW AND COMPLY WITH APPLICABLE STANDARDS OF THE FOLLOWING AUTHORITIES WHERE THE CONTRACT DOCUMENTS PRESCRIBE MORE PROGRESSIVE QUALIFICATIONS, THE DOCUMENTS SHALL GOVERN:
 - S2-1 UNDERWRITERS LABORATORIES, INC. (UL)
 - NATIONAL ELECTRICAL MANUFACTURERS ASSOCIATION (NEMA)
 - INSTITUTE OF ELECTRICAL AND ELECTRONIC ENGINEERS (IEEE)
 - FLORIDA BUILDING CODE 2009
 - NATIONAL ELECTRICAL CODE 2017 AS REFERENCED BY FBC 2020 OCCUPATIONAL SAFETY AND HEALTH ACT (OSHA)
- S3-1 THE INSTALLATION SHALL COMPLY WITH THE ABOVE CODES AND STANDARDS AND ALL LEGALLY CONSTITUTED AUTHORITIES HAVING JURISDICTION WHERE THE DRAWINGS OR SPECIFICATIONS EXCEED THESE REQUIREMENTS, THE DRAWINGS AND/OR SPECIFICATIONS SHALL TAKE PRECEDENCE.
- S4-1 ALL WORK SHALL BE EXECUTED AND FINISHED IN A PRACTICAL AND WORKMANLIKE MANNER TO THE SATISFACTION OF THE ENGINEER AND OWNER AND SHALL PRESENT A NEAT APPEARANCE WHEN COMPLETED. CHANGES IN THE WORK SHALL NOT BE MADE WITHOUT THE APPROVAL OF THE ENGINEER.

EXISTING CONDITIONS:

- E1-1 VERIFY EXISTING CONDITIONS AND LOCATIONS IN THE FIELD PRIOR TO SUBMITTING PROPOSAL. FAILURE TO DO SO SHALL NOT RELIEVE THE CONTRACTOR FROM PERFORMING THE WORK REQUIRED UNDER THIS CONTRACT.
- E2-1 THE PROJECT DOCUMENTS ARE DIAGRAMMATIC IN NATURE. KNOWN UNDERGROUND OBSTRUCTIONS AND OTHER UNDERGROUND UTILITIES HAVE NOT BEEN LOCATED. FIELD LOCATE UNDERGROUND OBSTRUCTIONS AND UTILITIES IN COVATION AREAS.

BASIC ELECTRICAL MATERIALS AND METHODS:

- B1-1 COORDINATE ALL WORK WITH OTHER TRADES AND THE OWNER.
- B2-1 PROVIDE LETTERING AND SIGNAGE IN ACCORDANCE WITH OWNERS STANDARDS. OTHERWISE, AS A MINIMUM PROVIDE ENGRAVED MELAMINE PLASTIC LAMINATE, 1/8" THICK MINIMUM FOR SIGNS UP TO 20 SQUARE INCHES OR 8 INCHES IN LENGTH, 1/8" THICK FOR LARGER SIZES. PROVIDE ENGRAVED LEGEND IN WHITE LETTERS ON BLACK PAPER AND PUNCHED FOR MECHANICAL FASTENERS. ADHESIVE PASTENINGS SHALL NOT BE ACCEPTABLE. EMBOSSED TAPE OR OTHER PRINTED LABELS SHALL NOT BE PERMITTED. IDENTIFY ALL CIRCUIT BREAKERS, TRANSFORMERS AND OTHER MAJOR PIECES OF ELECTRICAL EQUIPMENT. INDICATE INDIVIDUAL BUILDINGS SERVED AND VOLTAGE.

CONDUITS:

- C-1 UNLESS OTHERWISE SPECIFIED, EMT SHALL BE USED FOR INTERIOR WORK, WHERE SUBJECT TO MECHANICAL DAMAGE, OR WHERE NOTED. RIGID ALUMINUM CONDUIT SHALL BE USED. EMT CONDUIT FITTINGS SHALL BE STEEL COMPRESSION TYPE. LIQUID-TIGHT FLEXIBLE METAL CONDUIT SHALL BE USED AS THE FINAL CONNECTION TO ALLOWING OR VIBRATING EQUIPMENT. NO CABLE SHALL BE ONLY USED WHERE CONCEALED.
- C-2 EXCEPT WHERE SPECIFIED OTHERWISE, SCHEDULE 40 PVC CONDUIT MAY BE INSTALLED BELOW FLOOR SLABS AND BELOW GRADE EXTERIOR TO THE BUILDING. RIGID ALUMINUM CONDUIT SHALL BE INSTALLED AT ALL CONDUIT BENDS AND FITTINGS.
- C-3 AN EQUIPMENT GROUNDING CONDUCTOR SHALL BE INSTALLED IN ALL RACEWAYS AND CONDUIT SYSTEMS. ALL WORK SHALL BE RUN PARALLEL OR PERPENDICULAR TO WALLS. ALL CONDUITS, RACEWAYS AND FITTINGS SHALL BE MECHANICALLY FASTENED WITHIN 30" OF EACH JUNCTION BOX, OUTLET BOX, CABINET, ENCLOSURE OR FITTING.
- C-4 CONDUIT TERMINATIONS SHALL COMPLY WITH THE ARTICLE 300-4(F) PROVIDING A SMOOTHLY ROUNDED INSULATING SERVICE.
- C-5 RIGID ALUMINUM OR STEEL CONDUIT INSTALLED BELOW GRADE OR THROUGH CONCRETE SHALL BE COATED WITH BITUMASTIC COATING.
- C-6 LIGHT FIXTURE WIRING SHALL BE MAXIMUM 6" IN LENGTH.

WIRE AND CABLE:

- WC-1 CONDUCTORS SHALL BE OF ANNEALED 90 PERCENT CONDUCTIVITY, SOFT DRAWN COPPER. INSULATION SHALL BE 600 VOLT AND CONFORM TO THE FOLLOWING UNDERWRITERS LABORATORIES APPROVED TYPES AND SPECIFICATIONS. MINIMUM WIRE SIZE IS #14 UNLESS NOTED OTHERWISE. PROVIDE COPPER STRANDED CONDUCTORS FOR #14 THROUGH #10 AWG; STRANDED CONDUCTORS #8 AND LARGER.
- WC-2 COLOR CODE ALL CONDUCTORS: 480/277 VOLT SYSTEM - A-BROWN, B-ORANGE, C-YELLOW, NEUT - GRAY, GROUND - GREEN.
- WC-3 COLOR CODE ALL CONDUCTORS: 208/120 VOLT SYSTEM - A-BLACK, B-RED, C-BLUE, NEUT - WHITE, GROUND - GREEN.

SUPPORTING DEVICES:

- SD-1 PROVIDE ALL SUPPORTING DEVICES AS REQUIRED FOR THE INSTALLATION OF ELECTRICAL DEVICES AND EQUIPMENT. SUPPORTS, SUPPORT HARDWARE AND FASTENERS SHALL BE PROTECTED WITH ZINC COATINGS OR EQUIVALENT. TREAT ALL CUT EDGES, ALL OUTDOOR SUPPORTS SHALL BE HOT DIP GALVANIZED.
- SD-2 SUPPORT COMPONENTS SHALL BE OF ADEQUATE STRENGTH FOR THE PURPOSE. WIRE OR PLASTIC TIE SHALL NOT BE PERMITTED AS A MEANS OF FASTENING RACEWAYS AND CONDUITS. USE UL LISTED CLIPS, CLAMPS, AND BRACKETS.

GROUNDING:

- G-1 EACH SYSTEM AND COMPONENT SHALL BE EFFECTIVELY CONNECTED TO GROUND AS REQUIRED BY THE NATIONAL ELECTRICAL CODE.
- G-2 CONNECTIONS TO BUILDING FRAMES SHALL BE WITH TWO HOLE LUGS LISTED FOR GROUNDING APPLICATION.
- G-3 METALLIC RACEWAYS SHALL NOT BE USED AS THE SOLE GROUND CURRENT RETURN PATH. A GREEN COLORED INSULATED GROUNDING CONDUCTOR SHALL BE INSTALLED WITH ALL RACEWAYS AND ELECTRICALLY PARALLEL WITH ALL METALLIC RACEWAYS.
- G-4 FRAMES AND METAL ENCLOSURES OF ALL ELECTRICAL EQUIPMENT SHALL BE METALLICALLY CONNECTED TOGETHER AND TO THE ELECTRICAL ELECTRODE GROUNDING SYSTEM.

LEGEND	
SYMBOL	DESCRIPTION
	JUNCTION BOX
	480/277V PANELBOARD
	240/120V OR 208/120V PANELBOARD OR LOADCENTER
	MISC. PANEL
	EXPOSED CONDUIT RUN. SHORT SLASH LINES INDICATE UNGROUND CONDUCTORS, LONG SLASH LINES INDICATE NEUTRAL CONDUCTOR. X MARKS INDICATE GROUNDING CONDUCTOR. NO SLASH LINES OR MARKS INDICATE A MINIMUM OF THREE (3) CONDUCTORS IN A RACEWAY. CONDUIT SIZE INDICATED IF OTHER THAN #12 AWG.
	HOME RUN TO PANELBOARD (R) PANELBOARD L1H1. CIRCUITS 1 AND FOUR (4) SPACES 1 AND 3.
	GROUNDING ELECTRODE
	RECESSED 2X12 MOUNTED LIGHT FIXTURE. CAPITAL LETTER INDICATES FIXTURE TYPE.
	WALL MOUNTED EMERGENCY LUMINAIRE. LETTER INDICATES FIXTURE TYPE.
	PENDANT MOUNTED LINEAR LED LIGHT FIXTURE. CAPITAL LETTER INDICATES FIXTURE TYPE.
	RECESSED DOWN LIGHT FIXTURE. CAPITAL LETTER INDICATES FIXTURE TYPE. SHADZ FIXTURE INDICATES EMERGENCY FIXTURE.
	CEILING MOUNTED VANCANCY SENSOR
	CEILING MOUNTED OCCUPANCY SENSOR
	DUPLEX RECEPTACLE NEMA TYPE S-20 R. CENTERLINE MOUNTED 18" AFF IN FINISHED AREAS AND 42" AFF IN UNFINISHED AREAS. ION.
	SINGLE POLE SWITCH CENTERLINE MOUNTED 42" AFF. SMALL LETTER INDICATES CONTROLLED OUTLET.
	THREE WAY SWITCH CENTERLINE MOUNTED 42" AFF.
	0-10V DIMMER SWITCH
	ABOVE FINISHED FLOOR
	CEILING MOUNTED FLUSH
	CONDUIT
	EQUIPMENT GROUNDING CONDUCTOR.
	GROUND FAULT CIRCUIT INTERRUPTER TYPE.
	MOUNTED.
	UNFINISHED.
	WEATHERPROOF OUTDOOR.
	EXISTING TO REMAIN.

GENERAL NOTES:

- A. #10 AWG AND SMALLER WIRE CONNECTORS SHALL BE 600 VOLTS ELECTRICAL SPRING CONNECTORS (IDEAL 451462) OR (JAN E2352). #8 AWG AND LARGER WIRE CONNECTORS SHALL BE THE SLIT BOLT TYPE WITH INSULATOR (W/ VINYL ANASTIC PADS AND VINYL PLASTIC TAPE (W/ 220222) AND SUPER 35) OR LISTED BARREL LUG TYPE.
- B. ALL POWER WIRE AND CABLE SHALL BE INSTALLED IN CONDUIT. MINIMUM CONDUIT SIZE SHALL BE 1/2" AND CONDUIT SHALL BE CONCEALED IN FINISHED AREAS AND PROTECTED IN UNFINISHED AREAS.
- C. ELECTRICAL METALLIC TUBING SHALL BE USED IN FINISHED AREAS WITH STEEL COMPRESSION COUPLINGS AND FITTINGS. EMT MAY ALSO BE USED IN UNFINISHED AREAS WHERE PROTECTED IN COLUMNS OR UP IN JOIST SPACE.
- D. BONDING TYPE LOCKNUTS SHALL BE INSTALLED WHERE CONDUITS ENTER PANELBOARD, ENCLOSURES, WIRWAYS, STARTERS, SWITCH ENCLOSURES, JUNCTION BOXES AND ALL METALLIC ENCLOSURE BODIES. ALL EMT AND ILC FITTINGS SHALL BE COMPRESSION TYPE.
- E. GREEN COLORED INSULATED GROUNDING CONDUCTORS SHALL BE INCLUDED IN ALL RACEWAY AND RACEWAY SYSTEMS. SIZES UP THROUGH #8 SHALL BE SOLID COLOR.
- F. OUTLETS WHICH ARE NOTED FOR A PARTICULAR PIECE OF EQUIPMENT ARE SO NOTED IN ORDER THAT THE CONTRACTOR CAN COORDINATE THE LOCATION OF THE OUTLET WITH THE CONNECTING LOCATION OF THE EQUIPMENT. THIS COORDINATION SHALL BE THE RESPONSIBILITY OF THE CONTRACTOR.

LUMINAIRE SCHEDULE						
TYPE	DESCRIPTION	MANUFACTURER	CATALOG NO.	LAMP	MOUNTING	REMARKS
A	2 X 2 TILED TROFFER	DAY/BRITE OR EQUIVALENT	2-FG-38-840-2-UWV-DM-GLR	LED, 4000K, 3684 LUMENS, 33W 0-10V DIMMABLE	RECESSED	0-10V DIMMING. SEE LIGHTING FLOOR PLAN FOR FIXTURES REQUIRING DIMMING. PROVIDE DIMMER SWITCHES AS REQUIRED. PROVIDE 10-YEAR WARRANTY.
C	6" DOWNLIGHT	TRULY GREEN SOLUTIONS OR EQUIVALENT	TWRF-0615-C-U	LED, 4000K, 1100 LUMENS, 15W 0-10V DIMMABLE	RECESSED	
D	STRIP LIGHT	DAY/BRITE	FSS-4-40L-840-UWV-DM	LED, 4000K, 4100 LUMENS, 31W 0-10V DIMMABLE	PENDANT MOUNT LIGHT FIXTURES AT 12" AFF. ION.	0-10V DIMMING. SEE LIGHTING FLOOR PLAN FOR FIXTURES REQUIRING DIMMING. PROVIDE DIMMER SWITCHES AS REQUIRED. PROVIDE AIRCRAFT CABLES AS REQUIRED.
K, K1, K2, K3	LINEAR FIXTURE	FINELITE	HP-4-P-Q-48-8TW-F-96LG-120-SC-FC-10%-FASD-XFC-XX	LED, 4000K, 477 LUMENS/FT, 5W/FT 0-10V DIMMABLE	PENDANT MOUNT LIGHT FIXTURES AT 13" AFF. ION.	0-10V DIMMING. SEE LIGHTING FLOOR PLANS FOR FIXTURES REQUIRING DIMMING. PROVIDE DIMMING SWITCHES AS REQUIRED. PROVIDE AIRCRAFT CABLES AS REQUIRED. WHITE COBES, COORD MANAGERS, CEILING CANOPY COVERS AND ALL FOR A COMPLETE AND FUNCTIONAL SYSTEM. 100% DOWN DISTRIBUTION. COLOR BY ARCHITECT. FIXTURE "W" SAME AS "X" EXCEPT 7' LENGTH. FIXTURE "X2" SAME AS "X" EXCEPT 7' LENGTH. FIXTURE "X3" SAME AS "X" EXCEPT INCLUDES 10W BATTERY BACK-UP (L10210W OPTION).
J	VANITY FIXTURE	LIGHTING ARTISTRY	7106CBND-24-XX-LED900	LED, 4000K, 791 LUMENS, 21W	WALL MOUNTED	COLOR BY ARCHITECT.
L	WALL MOUNTED FIXTURE	FINELITE	HP-2-WM-D-XX-S-840-F-96LG-120-SC-FC-10%-MB-FE-XX	LED, 4000K, 322 LUMENS/FT, 5W/FT 0-10V DIMMABLE	WALL MOUNTED	0-10V DIMMING. SEE LIGHTING FLOOR PLAN FOR FIXTURES REQUIRING DIMMING. PROVIDE DIMMER SWITCHES AS REQUIRED. COLOR BY ARCHITECT.
N	EMERGENCY LUMINAIRE	BESPELLI	XLP-LED1-AT	2 LED HEADS, 2 WATTS	SURFACE	WHITE HOUSING. 90 MIN INTEGRAL BATTERY CHARGER. SEALED NICKEL CADMIUM BATTERIES. UL LISTED. INCLUDE SELF-DIAGNOSTIC OPTION.
P	COVE LIGHT	SOLID STATE LUMINAIRES	COVE-CACS-XX-FT-XX-FL LUMINAIRE-ECV1X10-XX-4K-8ACR1-60	LED, 4000K, 653 LUMENS/FT, 5W/FT 0-10V DIMMABLE	SURFACE MOUNTED	0-10V DIMMING. SEE LIGHTING FLOOR PLAN FOR FIXTURES REQUIRING DIMMING. PROVIDE DIMMER SWITCHES AS REQUIRED. COLOR BY ARCHITECT.
U	ARC LIGHT	BARBICAN	#18-2002-48R-48W-XX-ACQV-FCL-#HNT-750ML-F-124-000R-#0CR1-DB1-10V-SP	LED, 4000K, 760 LUMENS/FT, 8W/FT 0-10V DIMMABLE	PENDANT MOUNT LIGHT FIXTURES AT 8" AFF.	0-10V DIMMING. SEE LIGHTING FLOOR PLAN FOR FIXTURES REQUIRING DIMMING. PROVIDE DIMMER SWITCHES AS REQUIRED.

NOTE:
 1. FOR HARD CEILINGS PROVIDE LUMINAIRES WITH REQUIRED FLANGE KIT
 2. PROVIDE 2% OF TOTAL HEADS WITH WIDE FLOOD DISTRIBUTION, 2% WITH MEDIUM FLOOD DISTRIBUTION AND 2% WITH SPOT DISTRIBUTION.
 3. ANY REQUEST FOR SUBSTITUTION MUST BE MADE TEN DAYS PRIOR TO BID. ALL REQUESTS MUST INCLUDE PHOTOMETRICS, AND ONLY THOSE ISSUED THRU AN OFFICIAL ADDENDUM WILL BE ALLOWED TO BID.
 4. ALL FIXTURES SHALL INCLUDE IN LINE FUSES.

LONG & ASSOCIATES
 architects | engineers | inc.
 4825 South Woodloch Avenue, Tampa, FL 33611-2000
 Phone: (813) 973-1100
 Fax: (813) 973-1015
 www.longandassociates.com
 www.longandassociates.com
 100% OWNER RISK
 100% OWNER RISK
 100% OWNER RISK

ADMISSIONS CENTER IMPROVEMENTS
 FLORIDA POLYTECHNIC UNIVERSITY
 48MP POLYTECHNIC CIRCLE
 LAKELAND, FL 33809

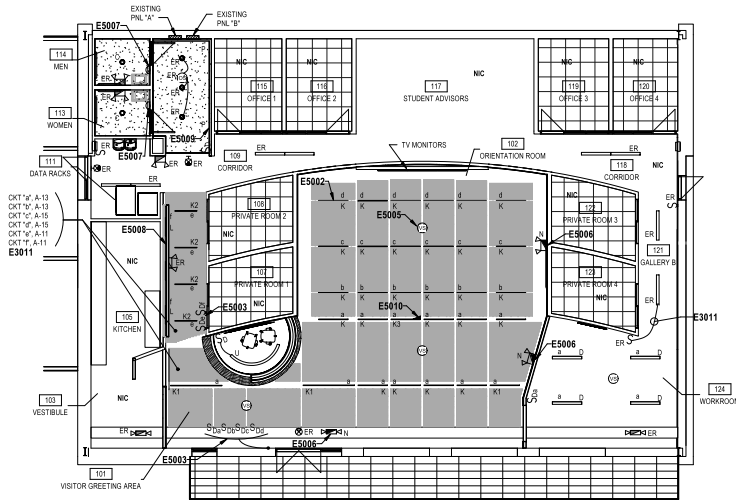
NOT FOR CONSTRUCTION
 HANG GAO, P.E.
 PE-8808

NO.	DATE	ISSUES & REVISIONS

TO THE BEST OF THE ARCHITECTS AND/OR ENGINEER'S KNOWLEDGE THESE PLANS AND SPECIFICATIONS COMPLY WITH THE APPLICABLE MINIMUM BUILDING CODES AND THE APPLICABLE FIRE-SAFETY STANDARDS.

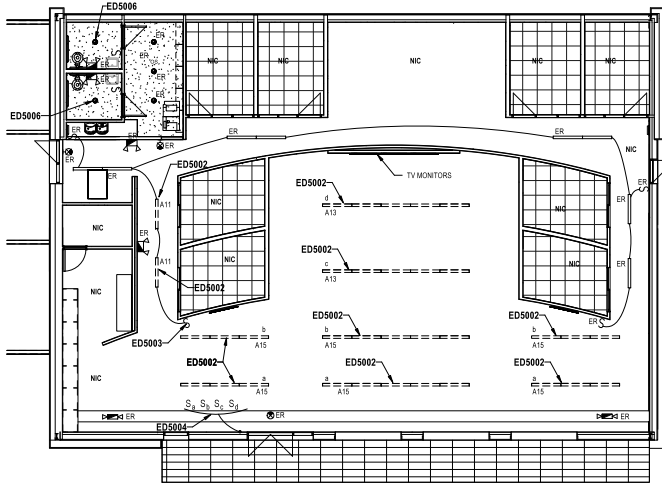
100% OWNER RISK
 Drawn By: C.J.
 Checked By: XG
 Job No: 2024
 Date: 07/01/2024

SPECIFICATIONS, LEGEND AND GENERAL NOTES
E0.1



TRUE N
 1 1ST FLOOR LIGHTING PLAN
 SCALE: 1/8" = 1'-0"

KEYNOTE LEGEND	
NO.	DESCRIPTION
E3011	EXTEND EXISTING LIGHTING CIRCUIT TO FIXTURE AS SHOWN.
E5002	TYP. SEE DETAILS #4 & #5 ON DWG A1.1 FOR ORIENTATION ROOM FIXTURE MOUNTING REQUIREMENTS.
E5003	NEW LIGHT DIMMER SWITCHES, CIRCUIT AS SHOWN AND ADD OUTLET BOXES AND CONDUITS AS REQUIRED.
E5005	TYP. MOUNT PENDANT MOUNT SENSOR SO THAT BOTTOM OF SENSOR IS 4" BELOW BOTTOM OF PENDANT FIXTURES.
E5008	NEW EMERGENCY LIGHT CIRCUIT TO UNSWITCHED CIRCUIT SERVING ROOM LIGHTS.
E5007	REMOVE LIGHT SWITCH AND REPLACE WITH QUAL TECHNOLOGY OCCUPANCY SENSOR.
E5008	WALL MOUNTED FIXTURE. SEE SECTION #1, DWG A1.1 FOR MOUNTING REQUIREMENTS.
E5009	COVE FIXTURE. SEE SECTION #1, DWG A1.1 FOR MOUNTING REQUIREMENTS.
E5010	THIS SYMBOL ON FIXTURE DESIGNATES FIXTURE WAS EMERGENCY BATTERY BACK-UP.



TRUE N
 1 1ST FLOOR DEMO LIGHTING PLAN
 SCALE: 1/8" = 1'-0"

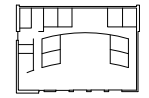
KEYNOTE LEGEND	
NO.	DESCRIPTION
ED5002	REMOVE LIGHTS, SUPPORT AND LIGHTING BRANCH CIRCUIT BACK TO LOCAL J-BOX ABOVE CEILING FOR SUBSEQUENT CIRCUIT EXTENSION TO NEW FIXTURES.
ED5003	REMOVE LIGHT SWITCH, OUTLET BOX AND CIRCUIT BACK TO SOURCE. PATCH/PAIN WALL AS REQUIRED. RE-WORK EXISTING LIGHTING TO REMAIN AND CONTROL CIRCUITS AS REQUIRED.
ED5004	REMOVE LIGHT SWITCHES AND CONTROL WIRING AND REPLACE WITH DIMMER SWITCHES AND 12-0V WIRING AS REQUIRED.
ED5009	REMOVE LIGHT, OUTLET BOX AND CIRCUIT BACK TO LOCAL J-BOX. MAINTAIN CIRCUIT FOR EXTENSION TO NEW ROOM LIGHT. PATCH/PAIN CEILING AS REQUIRED.

CONSTRUCTION GENERAL NOTES

- COORDINATE ALL ROUGH-IN LOCATIONS WITH ARCHITECTURAL ELEVATIONS AND DRAWINGS, SHOP DRAWINGS AND OTHER TRADES.
- REFER TO THE SPECIFICATIONS, LEGEND AND GENERAL NOTES ON DRAWING E0.1.
- 120V BRANCH CIRCUITS EXCEEDING 100 FEET SHALL BE #10 AWG THROUGHOUT LENGTH OF CIRCUIT.
- COORDINATE ALL WORK WITH OTHER TRADES, THE PROJECT SCHEDULE, AND THE OWNER.
- ALL LISTED ASSEMBLIES SHALL BE INSTALLED AT ALL PENETRATIONS OF RATED WALLS. JUNCTION BOXES LOCATED WITHIN RATED WALLS SHALL BE WRAPPED WITH FIRE STOP PUTTY PAIDS.
- ALL WORK SHALL BE CONCEALED UNLESS OTHERWISE NOTED.
- SAWCUT AND PATCH EXISTING WALLS AS REQUIRED TO INSTALL RECESSED OUTLET BOXES AND CONCEALED CONDUITS.
- TYP. LIGHT FIXTURES SHALL BE INDEPENDENTLY SUPPORTED FROM THE OVERHEAD STRUCTURE BY CEILING GRID TYPE WIRES CONNECTED TO TWO OPPOSITE CORNERS.
- FIXTURE WHIPS SHALL NOT LAY ON THE CEILING TILES.
- PROVIDE JUNCTION BOXES AS REQUIRED. PROVIDE ADDITIONAL FLEX WHIPS ABOVE JUNCTION BOXES TO EACH INDIVIDUAL FIXTURE EXCEPT WHERE CONTINUOUS ROWS AND FIXTURES LISTED FOR THROUGH WIRING. FLEX SHALL NOT EXCEED 8'-0" AND SHALL HAVE #12 AWG CONDUCTORS. FIXTURES SHALL NOT BE Daisy Chained.
- EXTEND AN UNSWITCHED CONDUCTOR TO FIXTURES WITH EMERGENCY BATTERY BALLASTS AND TO EXIT LIGHTS.
- EXTEND EXISTING LOCAL LIGHTING BRANCH CIRCUIT TO RELOCATED OR NEW LIGHTS AS REQUIRED.

DEMOLITION GENERAL NOTES

- EXTEND EXISTING LOCAL LIGHTING BRANCH CIRCUIT TO RELOCATED OR NEW LIGHTS AS REQUIRED.
- RELOCATE EXISTING OBSTRUCTIONS ABOVE CEILING AS REQUIRED TO INSTALL LIGHT FIXTURES. WERE SHOWN ON PLAN #1. FIELD VERIFY WORK SCOPE.
- LEGALLY DISPOSE OF ALL NON-USED LIGHT FIXTURES.
- RE-WORK EXISTING LIGHT BRANCH CIRCUITS AS REQUIRED TO MAINTAIN CIRCUITS OUTSIDE OF REMODELED AREA.
- SWITCH DEVICE COLOR AND COVERPLATE SHALL MATCH EXISTING.
- PROVIDE NEW CEILING TILES WHERE CEILING DEVICES, LIGHTING AND EQUIPMENT ARE REMOVED FROM CEILING.
- EXISTING EQUIPMENT DEVICES AND CIRCUITING SHOWN ARE BASED ON OWNERS AS-BUILT DRAWINGS PROVIDED TO A/E. FIELD VERIFY EQUIPMENT AND DEVICE LOCATIONS AND CIRCUITING.
- PATCH/PAIN WALL AS REQUIRED TO CONCEAL ALL NEW DEVICE OUTLET BOXES AND CONDUITS.
- PROVIDE BLANK COVERPLATES OVER ALL OPEN OUTLET BOXES TO REMAIN. COVERPLATE SHALL MATCH EXISTING.
- REWORK ELECTRICAL AND SIGNAL CIRCUITS AS REQUIRED TO MAINTAIN EXISTING TO REMAIN DEVICES AND EQUIPMENT IN OPERATION.
- ALL DEVICE OUTLET BOXES SHALL BE FLUSH MOUNTED AND CONDUITS CONCEALED.
- SUPPORT ALL LOOSE OR NON-SUPPORTED RACEWAY CIRCUITS ABOVE CEILING PER NEC IN AREAS WHERE CEILING ARE REMOVED. FIELD VERIFY WORK SCOPE. SEE ARCHITECTURAL DRAWINGS FOR CEILING TO BE REMOVED AND REPLACED WITH NEW CEILING.



TRUE N
 A KEYPLAN
 SCALE: NTS

LONG & ASSOCIATES
 ARCHITECTS | ENGINEERS | INC.

4525 South Woodloch Avenue, Tampa, FL 33611 | 813.933.5500
 18150 South Dale Mabry Avenue, Suite 200, Tampa, FL 33611 | 813.933.5500
 www.longandassociates.com

PROJECT NO. 2020-001
 DATE: 07/01/2022

ADMISSIONS CENTER IMPROVEMENTS

FLORIDA POLYTECHNIC UNIVERSITY

450P POLYTECHNIC CIRCLE
 LAKELAND, FL 33809

NOT FOR CONSTRUCTION

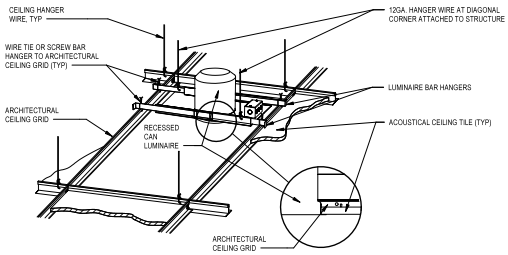
NO.	DATE	ISSUES & REVISIONS

TO THE BEST OF THE ARCHITECTS AND/OR ENGINEER'S KNOWLEDGE THESE PLANS AND SPECIFICATIONS COMPLY WITH THE APPLICABLE MINIMUM BUILDING CODES AND THE APPLICABLE FIRE SAFETY STANDARDS.

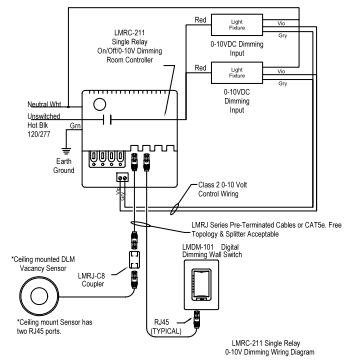
100% OWNER REVIEW
 Drawn By: CJP
 Checked By: XG
 Job No.: 2020
 Date: 07/01/2022

1ST FLOOR ELECTRICAL PLANS

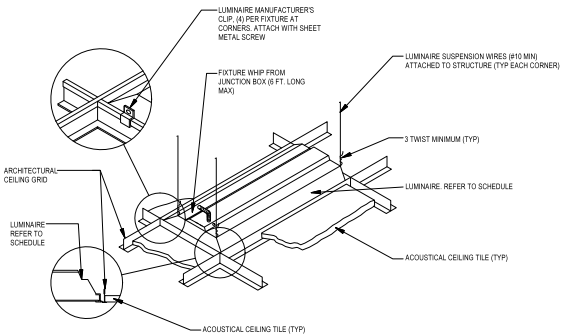
E1.1



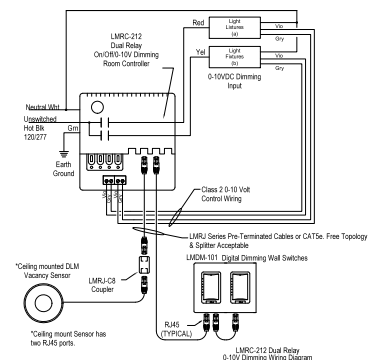
4 DOWNLIGHT MOUNTING - LAY-IN CEILING
DETAIL
SCALE: NTS



2 SMALL ROOM LIGHTING CONTROL
DIAGRAM
SCALE: NTS



3 LUMINAIRE MOUNTING - LAY-IN CEILING
DETAIL
SCALE: NTS



1 TWO SWITCH LEG ROOM LIGHTING CONTROL DIAGRAM
SCALE: NTS

Sheet

NOT FOR CONSTRUCTION

RMG CAD / P.E.
FE 8808

NO.	DATE	ISSUES & REVISIONS

TO THE BEST OF THE ARCHITECTS AND/OR ENGINEER'S KNOWLEDGE THESE PLANS AND SPECIFICATIONS COMPLY WITH THE APPLICABLE MINIMUM BUILDING CODES AND THE APPLICABLE FIRE SAFETY STANDARDS

100% OWNER REVIEW

Drawn By: CJP
Checked By: XG
Job No: 2103
Date: 07/01/2022